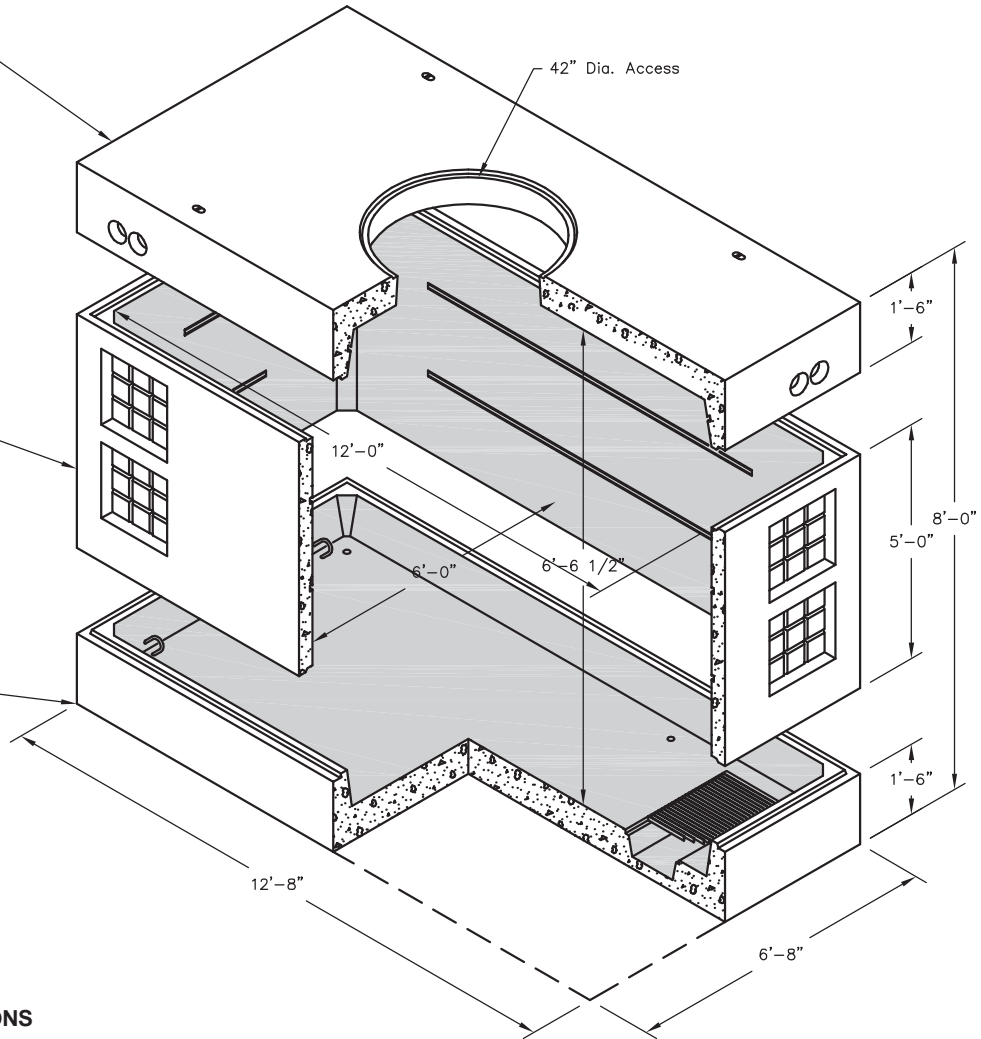


612-LA

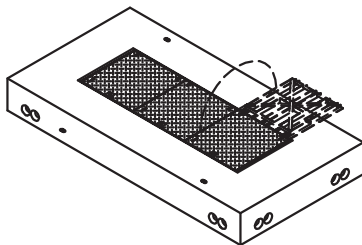
COVER
No. 612-TL-42C
7,000 lbs

VAULT
No. 612-ML
9,000 lbs

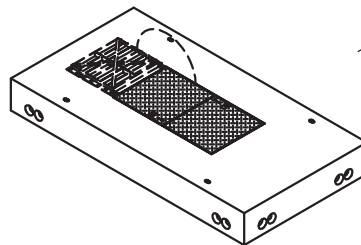
BASE
No. 612-SB
10,500 lbs



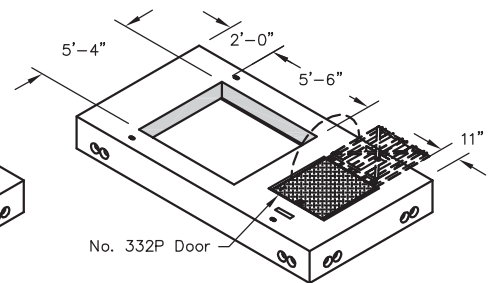
OPTIONAL TOP SECTIONS



LOCKING STEEL COVERS
No. 612-TL-3-332P
SnoPUD Cat ID #782252
7,400 lbs.



LOCKING STEEL COVERS
No. 612-TL-2-332P
8,300 lbs.



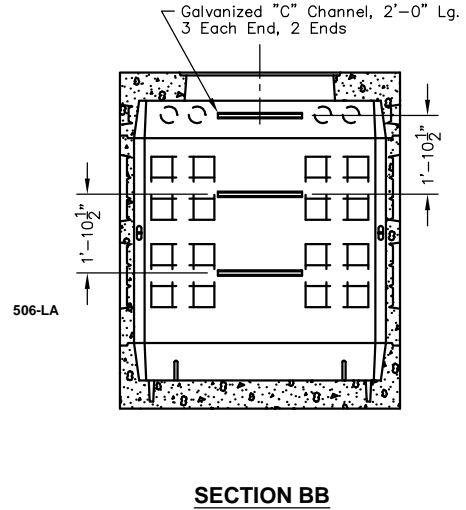
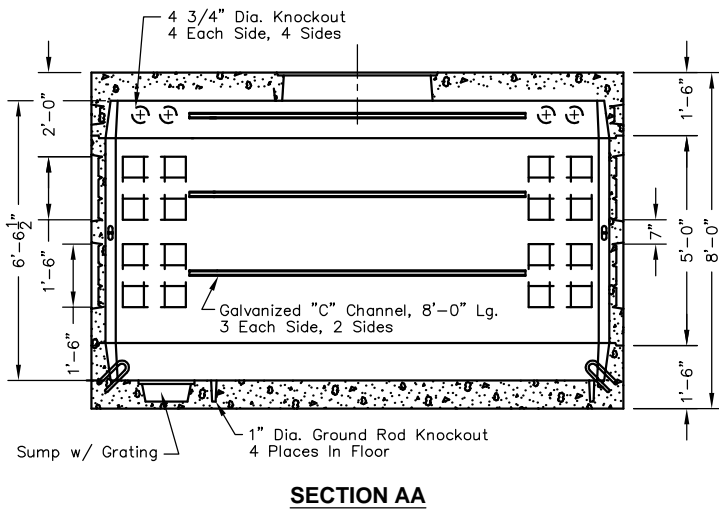
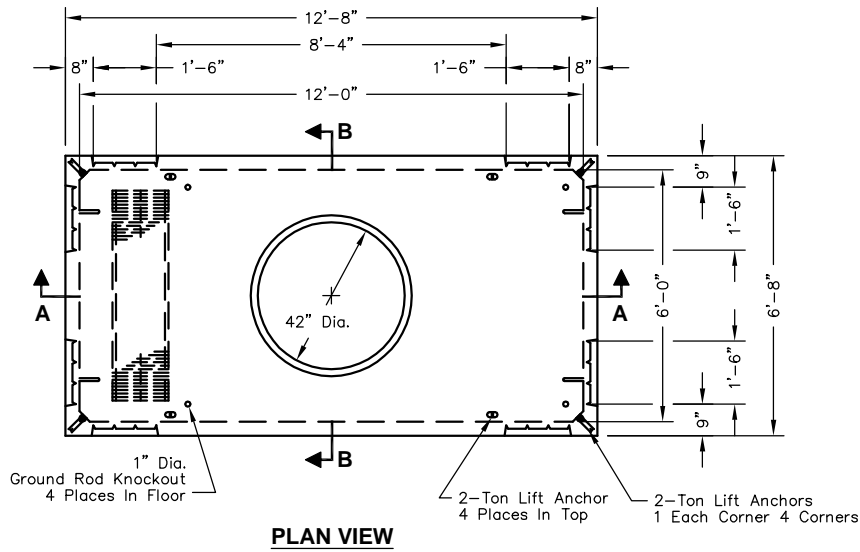
LOCKING STEEL COVER WITH PADMOUNT
Snohomish County P.U.D. Standard
SnoPUD Cat ID #742202
6,700 lbs.

Non Skid Covers Available

FOR DETAILS, SEE REVERSE>>

Items Shown Are Subject To Change Without Notice
Issue Date: April 2016

612-LA



SCALE: 1/4"=1'-0"