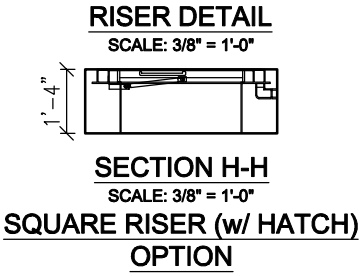
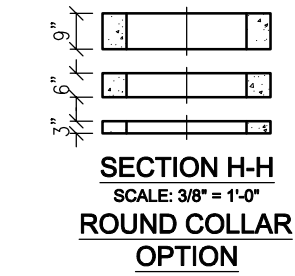
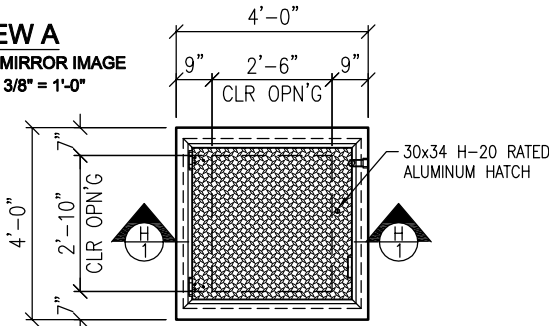
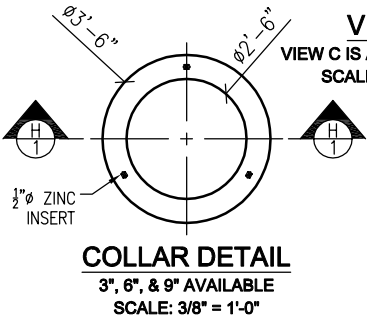
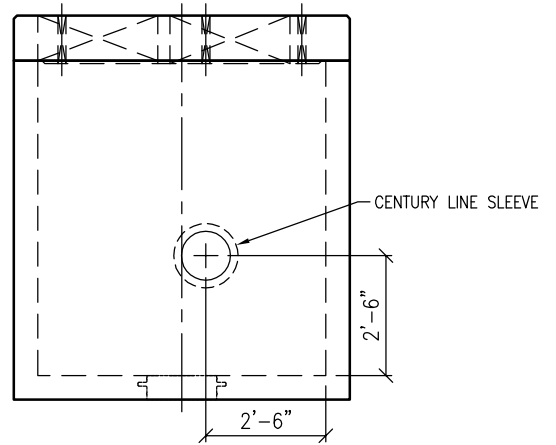
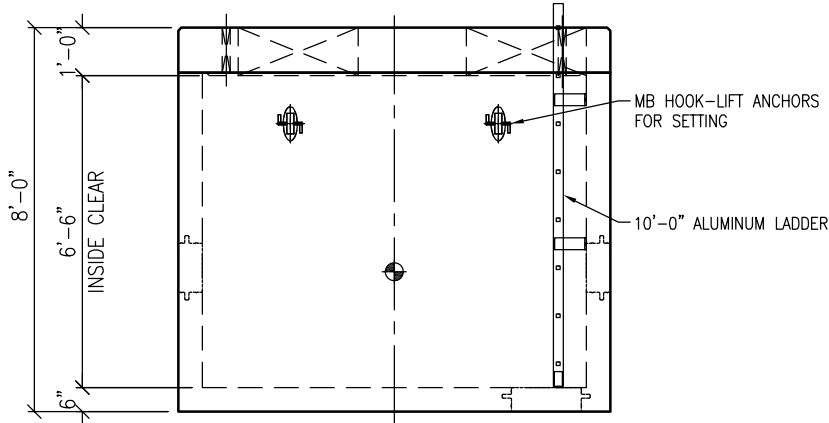
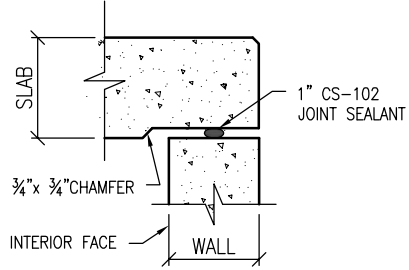


SHIP-LOOSE ITEMS		
QTY	DESCRIPTION	ITEM ID
3 ROLLS	JOINT SEALANT 1" x 14.5' CS-102	5439200
OLDCASTLE ID		
QTY	DESCRIPTION	ITEM ID
1 EA.	6 x 8 - 4" MV	1910020
1 EA.	6 x 8 - 6" MV	1910022
1 EA.	6 x 8 - 8" MV	1910024
1 EA.	6 x 8 - 10" MV	1910026



- DESIGN NOTES:**
- CONCRETE MIN. COMPRESSIVE STRENGTH 5,000 P.S.I @ 28 DAYS.
 - STEEL REINFORCEMENT REBAR - ASTM 615, GRADE 60.
 - DESIGN LOADING:
 - LIVE LOAD = AASHTO HS-20.
 - LIVE LOAD SURCHARGE = PER LRFD
 - EARTH COVER = 1'-4"
 - GROUND WATER @ 4'-0" BELOW GRADE.

- NOTES:**
- REFERENCE WSSC SPEC. W5.24 FOR THE TOP SLAB.
 - REFERENCE WSSC SPEC. W5.0, W5.0B, W12.0 FOR THE BASE SECTION.

MAX PICK WEIGHT = 10 TONS, 20,000 LBS

Oldcastle Precast[®]
CHESAPEAKE

1401 TRIMBLE ROAD
EDGEWOOD, MD 21040 410-812-1213
5115 MASSAPONAX CHURCH ROAD
FREDERICKSBURG, VA 22407 540-898-6300

OPI-CHESAPEAKE-INFO@OLDCASTLE.COM

MV-686-WSSC

FILE NAME: 365MV686WSSC.DWG

ISSUE DATE: October, 2017

SCALE: 3/8" = 1'-0"

Meter Vault
6'-0" x 8'-0" x 6'-0" I.D.
WSSC

Copyright © 2017 Oldcastle Precast, Inc.