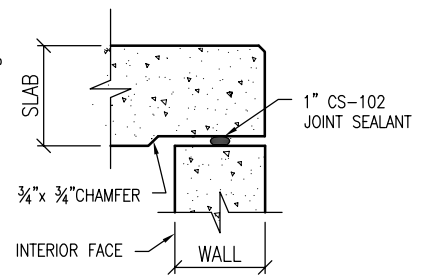
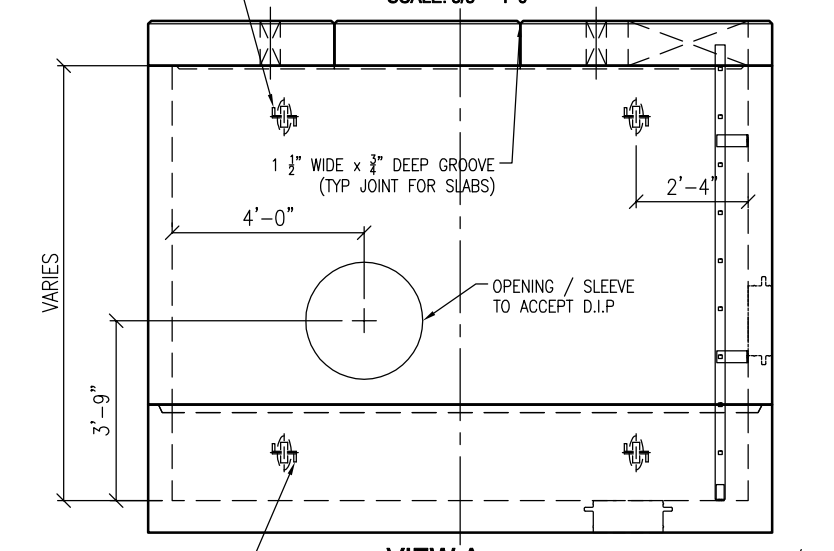


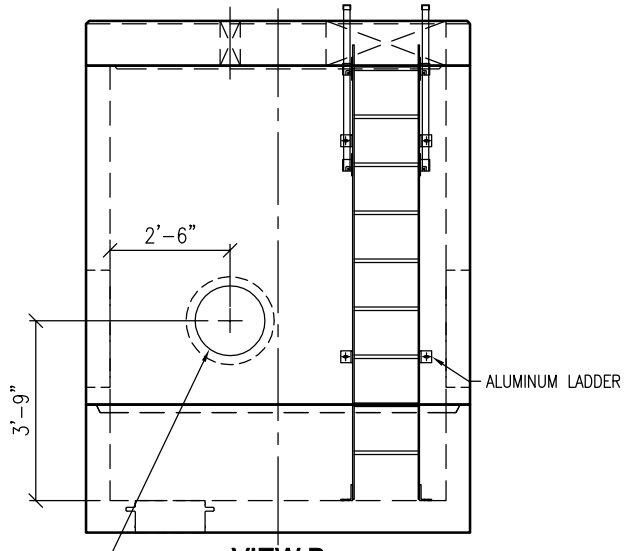
SHIP-LOOSE ITEMS		
QTY	DESCRIPTION	ITEM ID
VARIES	JOINT SEALANT 1" x 14.5' CS-102	5439200



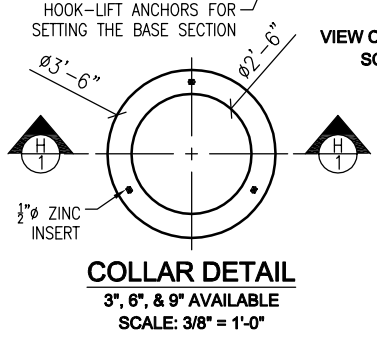
**TOP SLAB TO FLAT TOP w/ DAP
BASE JOINT DETAIL**
N.T.S.



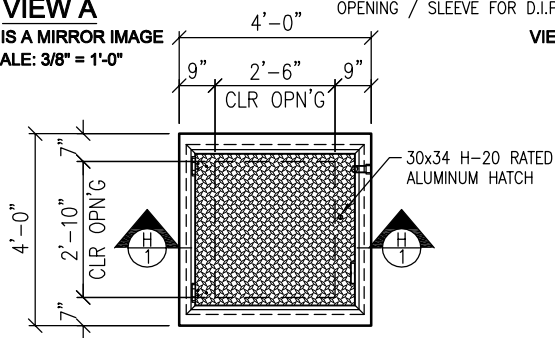
VIEW A
VIEW C IS A MIRROR IMAGE
SCALE: 3/8" = 1'-0"



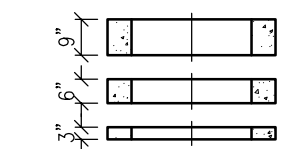
VIEW B
VIEW D IS A MIRROR IMAGE W/OUT THROUGH HOLE
SCALE: 3/8" = 1'-0"



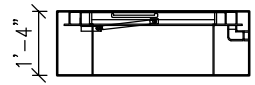
COLLAR DETAIL
3", 6", & 9" AVAILABLE
SCALE: 3/8" = 1'-0"



RISER DETAIL
SCALE: 3/8" = 1'-0"



SECTION H-H
SCALE: 3/8" = 1'-0"
**ROUND COLLAR
OPTION**



SECTION H-H
SCALE: 3/8" = 1'-0"
**SQUARE RISER (w/ HATCH)
OPTION**

DESIGN NOTES:

1. CONCRETE MIN. COMPRESSIVE STRENGTH 5,000 P.S.I @ 28 DAYS.
2. STEEL REINFORCEMENT REBAR - ASTM 615, GRADE 60.
3. DESIGN LOADING:
 - 3.1. LIVE LOAD = AASHTO HS-20.
 - 3.2. LIVE LOAD SURCHARGE = PER LRFD
4. EARTH COVER = 1'-4"
5. GROUND WATER @ 4'-0" BELOW GRADE.

NOTES:

1. REFERENCE WSSC SPEC. W5.2 FOR THE TOP SLAB.
2. REFERENCE WSSC SPEC. W2.4 & W2.5 FOR THE BASE SECTION.

Oldcastle Precast[®]
CHESAPEAKE
1401 TRIMBLE ROAD
EDGEWOOD, MD 21040 410-812-1213
5115 MASSAPONAX CHURCH ROAD
FREDERICKSBURG, VA 22407 540-898-6300
OPI-CHESAPEAKE-INFO@OLDCASTLE.COM

Valve Vault - WSSC
FILE NAME: 365VV-WSSC.DWG
ISSUE DATE: October, 2017
SCALE: 3/8" = 1'-0"

**Valve Vault
WSSC**
Copyright © 2017 Oldcastle Precast, Inc.