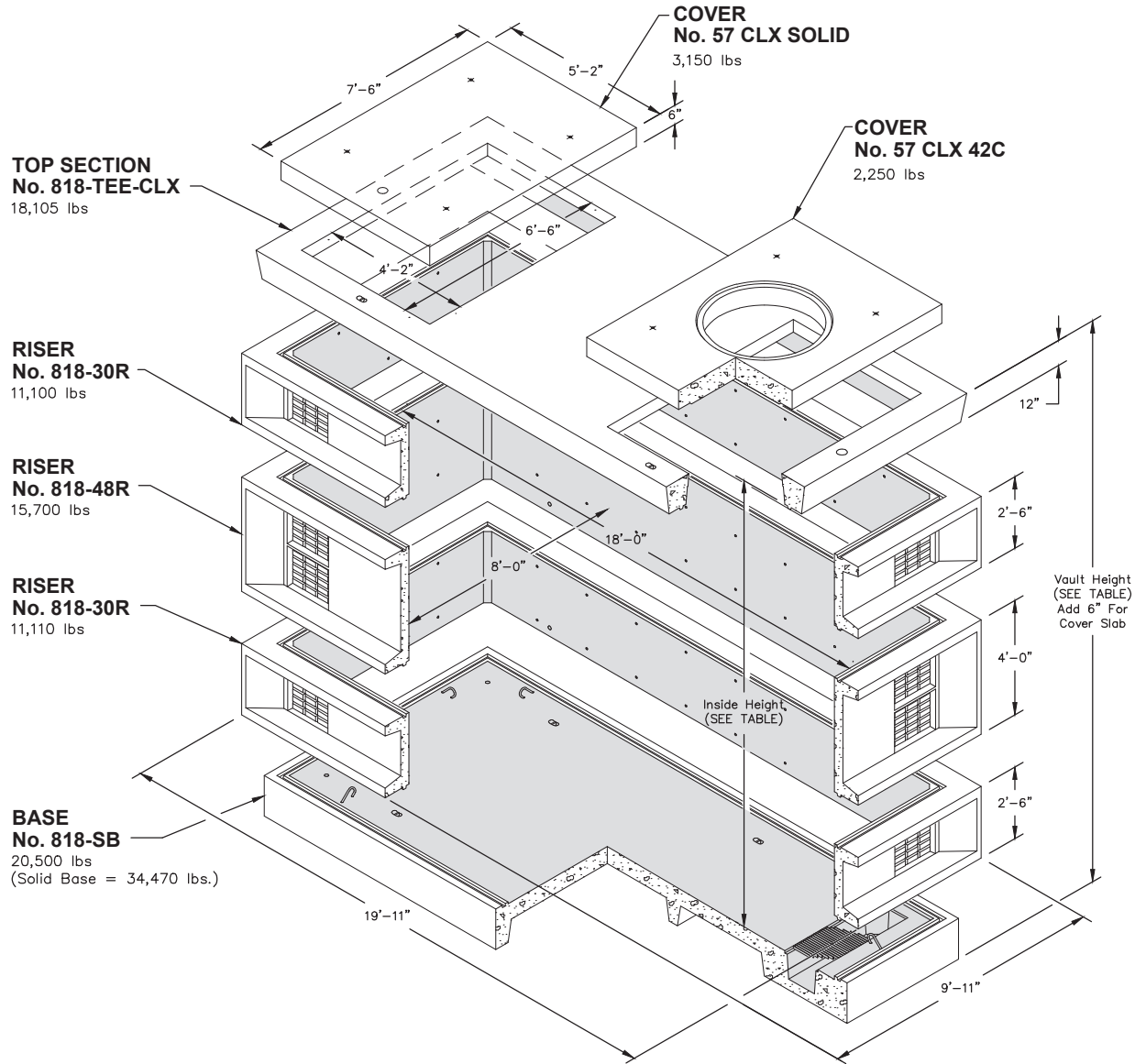


818-LA



**OPTIONAL TOP SECTIONS -
ALSO ON PAGES 37-38**

VAULT No.	INSIDE HEIGHT	818-30R RISERS	818-48R RISERS	*OUTSIDE HEIGHT	*VAULT WEIGHT
818-66-LA	6'-6"	1	1	8'-11"	56,660 lbs.
818-76-LA	7'-6"	3		9'-11"	63,100 lbs.
818-8-LA	8'-0"		2	10'-5"	61,200 lbs.
818-9-LA	9'-0"	2	1	11'-5"	67,770 lbs.
818-10-LA	10'-0"	4		12'-5"	74,200 lbs.

* HEIGHT AND WEIGHTS DO NOT INCLUDE 6" 57 CLX COVER SLAB

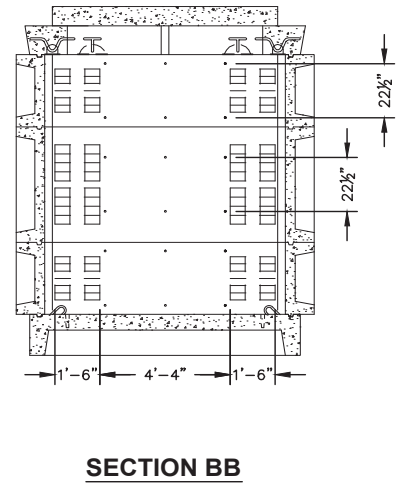
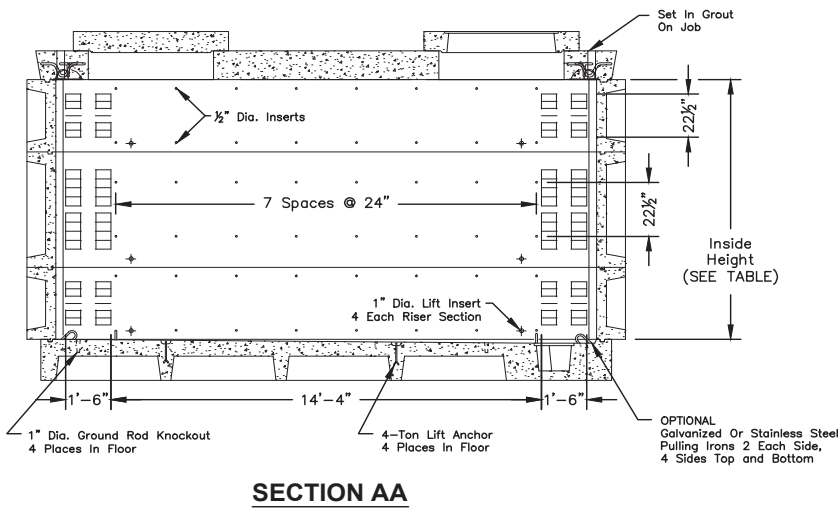
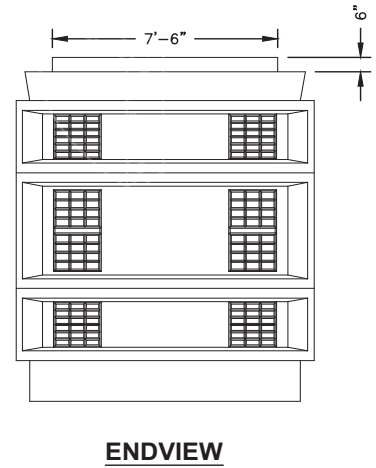
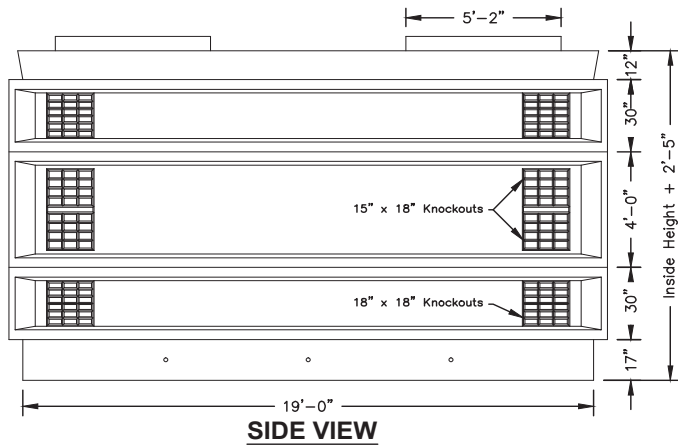
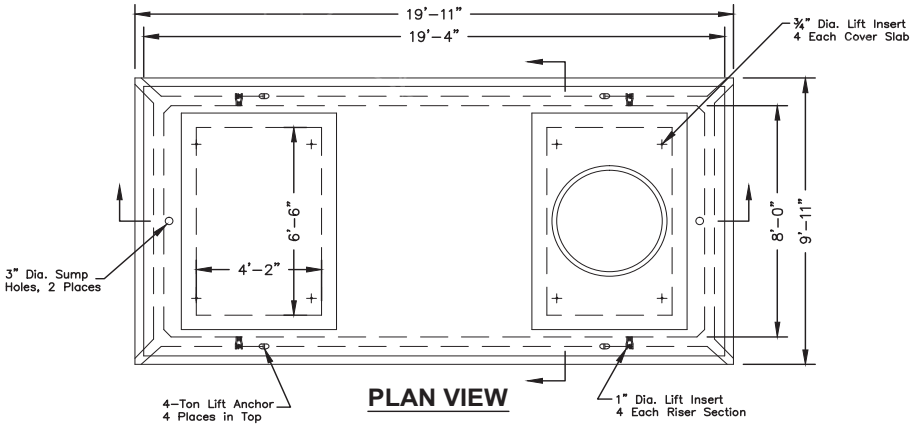
Any Combination Of 30" Risers Or 48" Risers
May Be Used To Achieve Desired Height.

**OPTIONAL TOP SECTIONS -
SEE PAGES 40 & 41**

FOR DETAILS, SEE REVERSE>>

Items Shown Are Subject To Change Without Notice
Issue Date: April 2016

818-LA



SCALE: 3/16" = 1'-0"
39.1