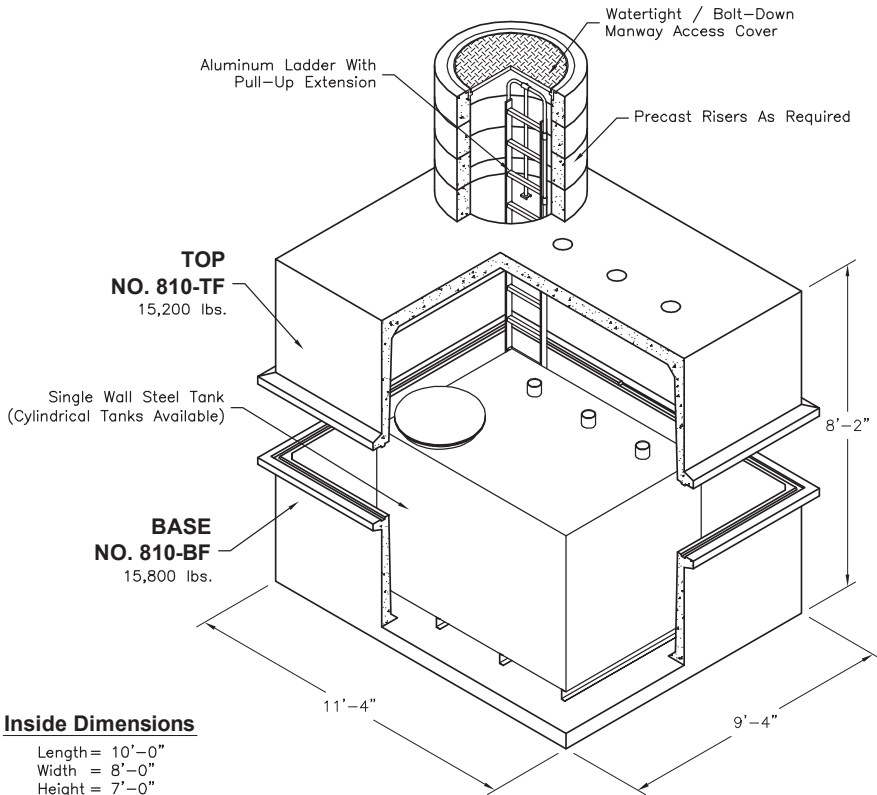


8'-0" x 10'-0" x 7'-0" ID
Secondary Containment Vault
 Model: 810-FC



Inside Dimensions

Length = 10'-0"
 Width = 8'-0"
 Height = 7'-0"

NOTE:

Penetrations and tank dimensions shown are for illustration purposes only. Actual penetration sizes & locations and tank dimensions & capacity will vary according to customer's needs.



**Fuels - Chemicals
 Hazardous Waste**

