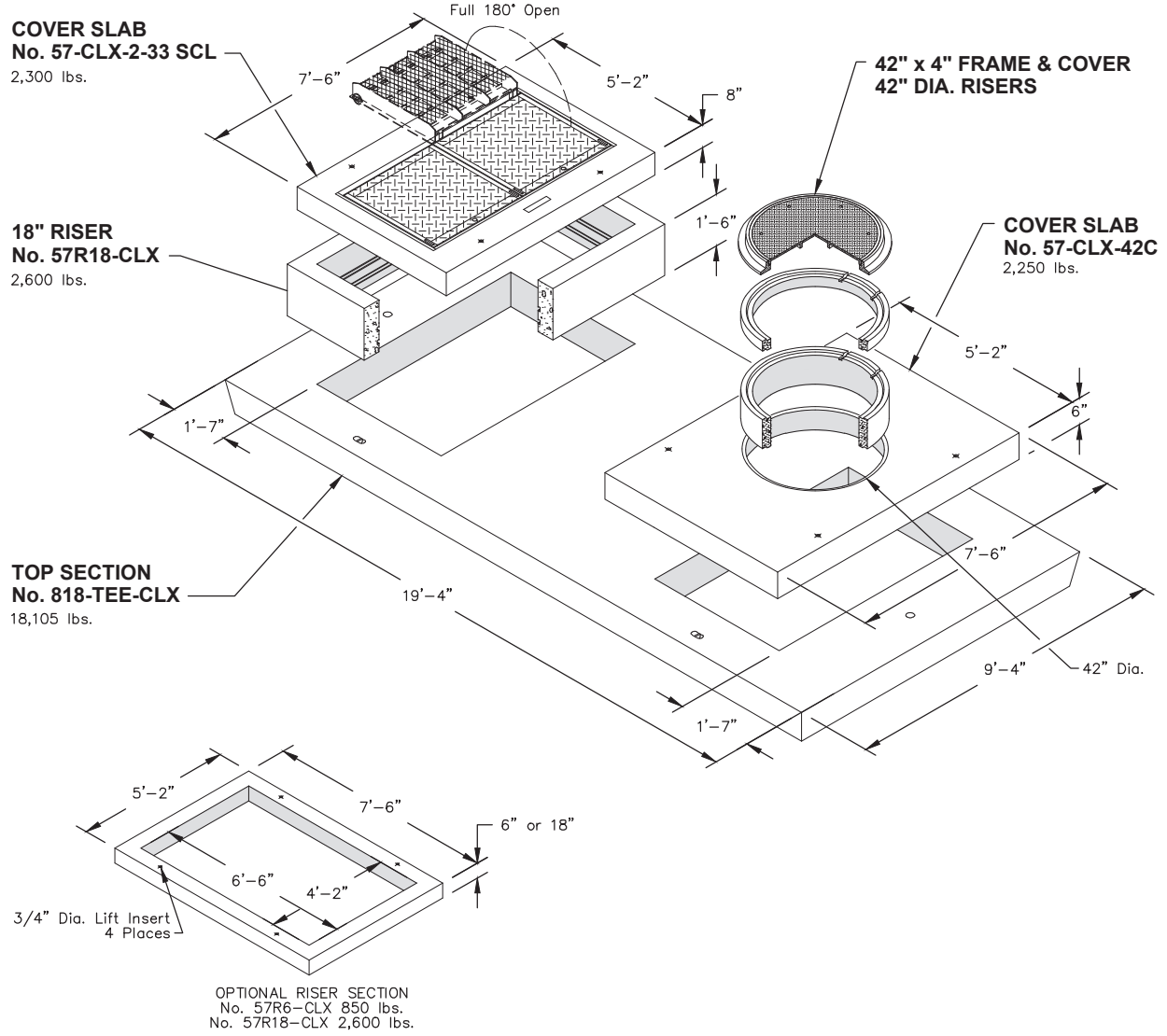
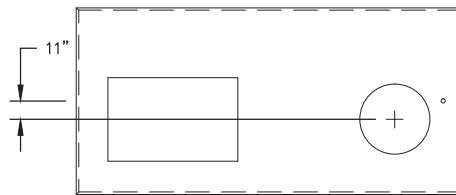


818-TEE-CLX

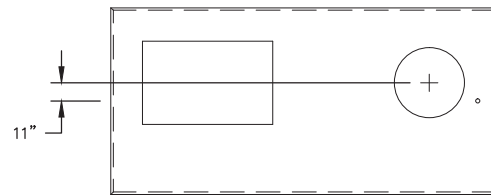
Special Top Section for 818-LA Vault



OPTIONAL TOP SECTIONS



OPTIONAL TOP SECTION
No. 818-TEE-CLX TYPE I
20,777 lbs.



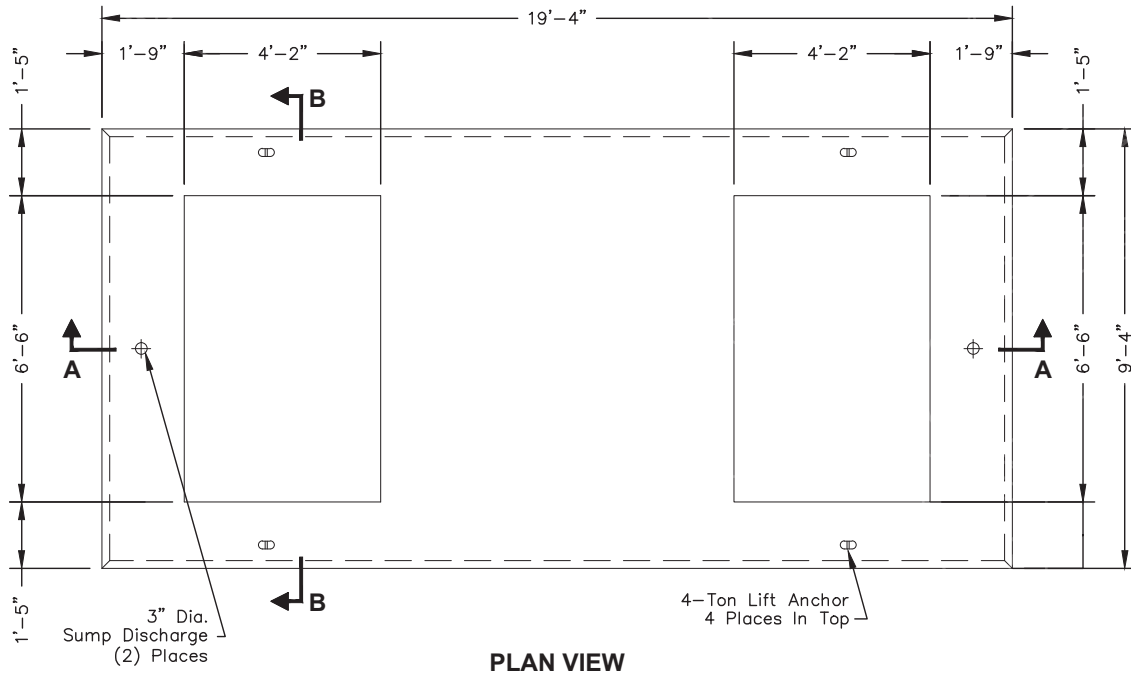
OPTIONAL TOP SECTION
No. 818-TEE-CLX TYPE II
20,777 lbs.

Non Skid Covers Available

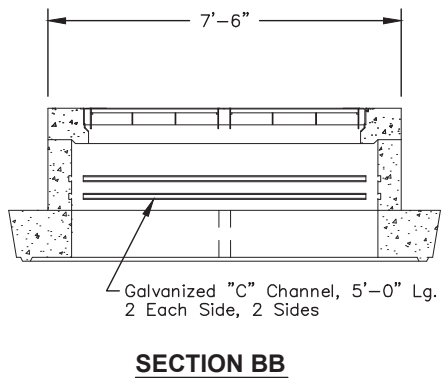
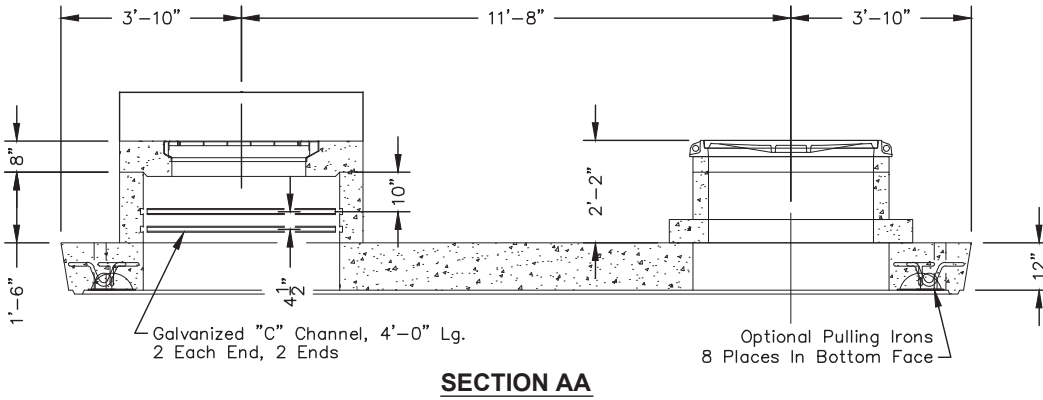
FOR DETAILS, SEE REVERSE>>

Items Shown Are Subject To Change Without Notice
Issue Date: April 2016

818-TEE-CLX



Cover Slab, Casting and Access Risers Not Shown



SCALE: 1/4" = 1'-0"