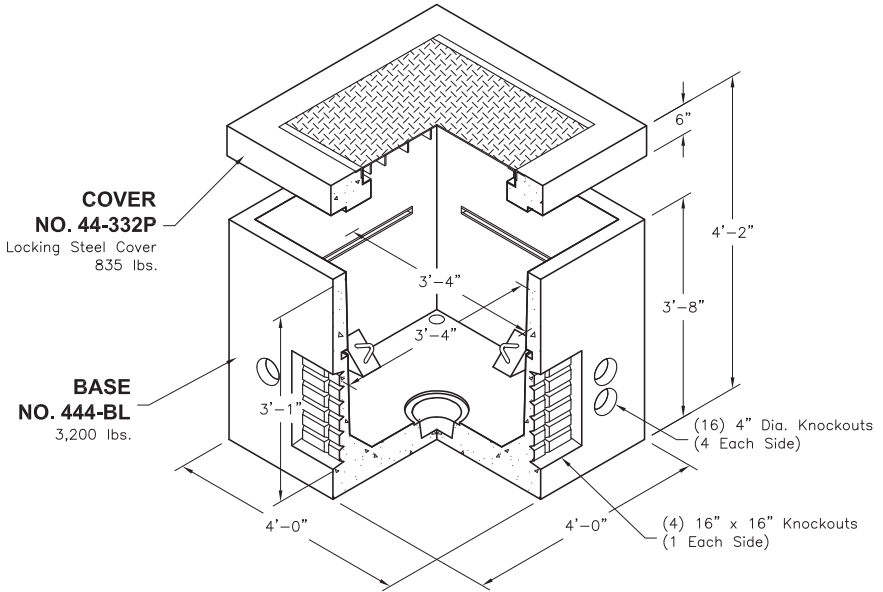


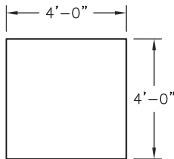
3'-4" x 3'-4" x 3'-1" ID
444-LA Communications Pullbox
 Model: 444-TA

COMMUNICATIONS

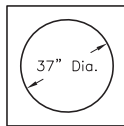


OPTIONAL COVERS

(For Other Available Covers See Covers Section)



SOLID CONCRETE
 NO. 44-S
 1,350 lbs.



CONCRETE W / HOLE
 NO. 44-37C
 700 lbs.