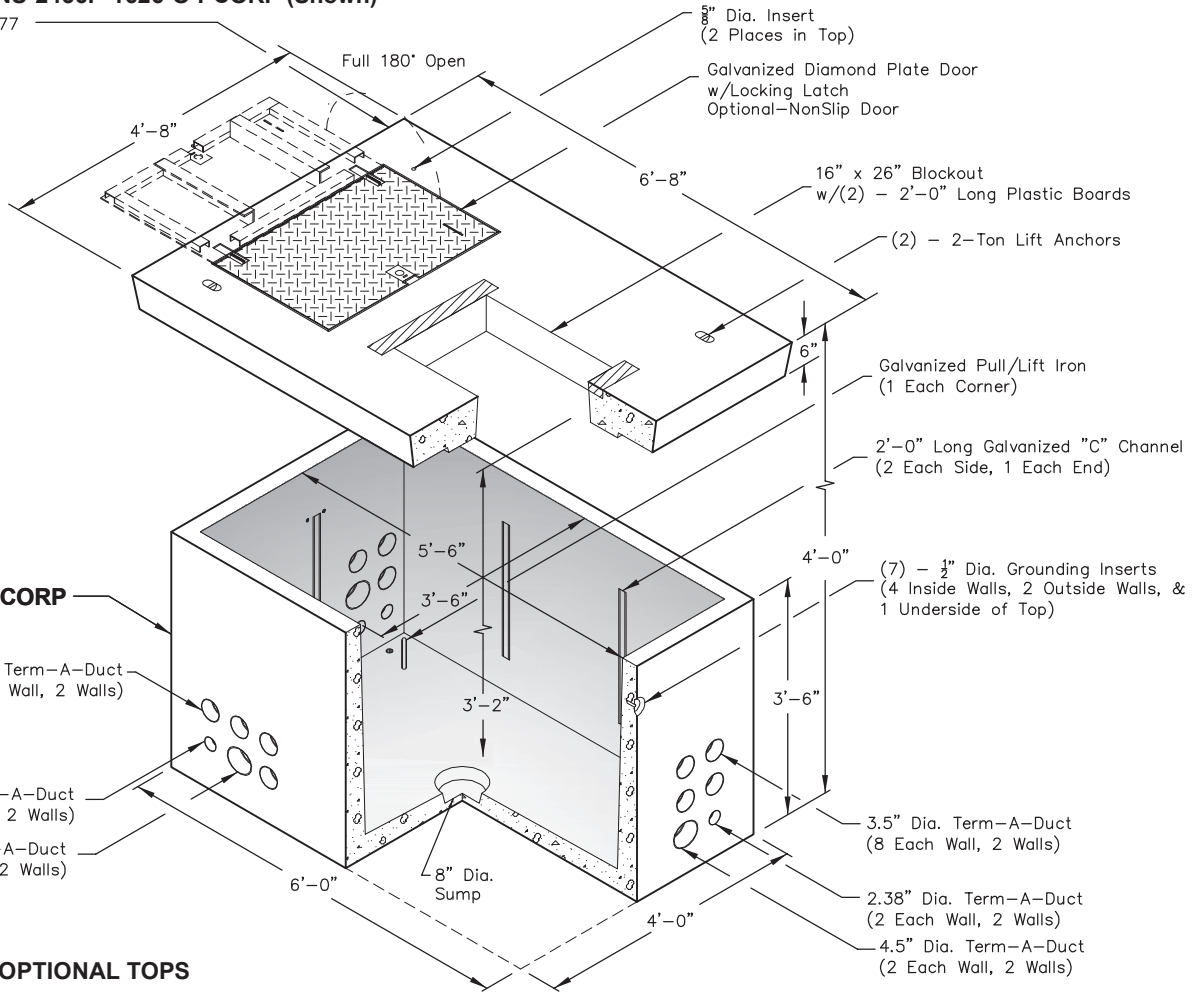


644-TRANS-PCORP

4 x 6, Single Phase 25-167 KVATransformer Padvault, Stock Item 7992977
4 x 6, Single Phase 25-167 KVATransformer Padvault, Stock Item 7999352

TOP
SINGLE PHASE TRANSFORMER
No. 64-TRANS-2436P-1626-O PCORP (Shown)

PCORP #7992977
1,850 lbs.



BASE
No. 644-B-PCORP

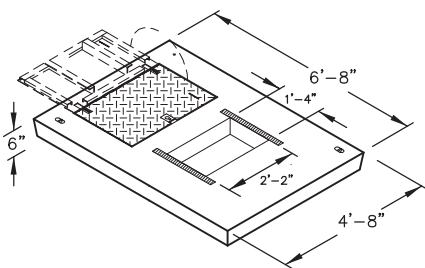
3,600 lbs.

3.5" Dia. Term-A-Duct
(8 Each Wall, 2 Walls)

2.38" Dia. Term-A-Duct
(2 Each Wall, 2 Walls)

4.5" Dia. Term-A-Duct
(2 Each Wall, 2 Walls)

OPTIONAL TOPS



SINGLE PHASE TRANSFORMER
No. 64-TRANS-2436P-1626-C
PCORP #7999352 1,850 lbs.

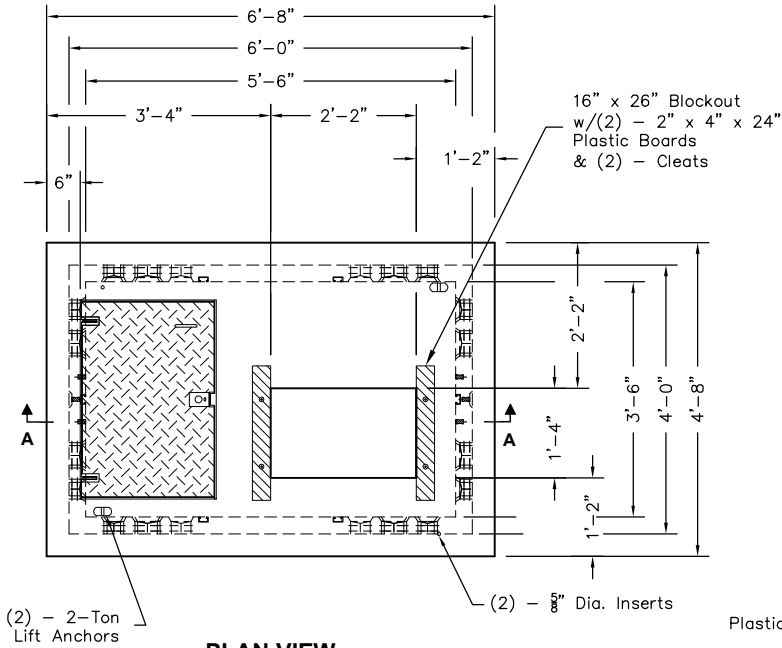
Scale: 3/8" = 1'-0"

Non Skid Covers Available

FOR DETAILS, SEE REVERSE>>

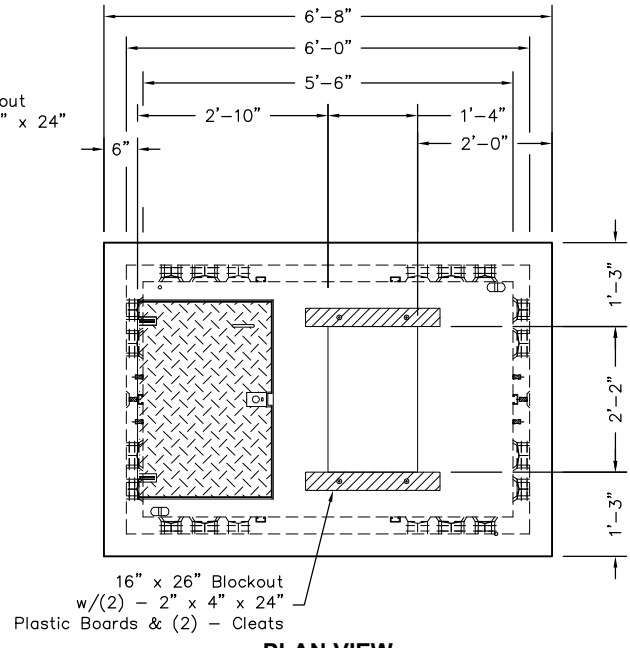
Items Shown Are Subject To Change Without Notice
Issue Date: April 2016

644-TRANS-PCORP



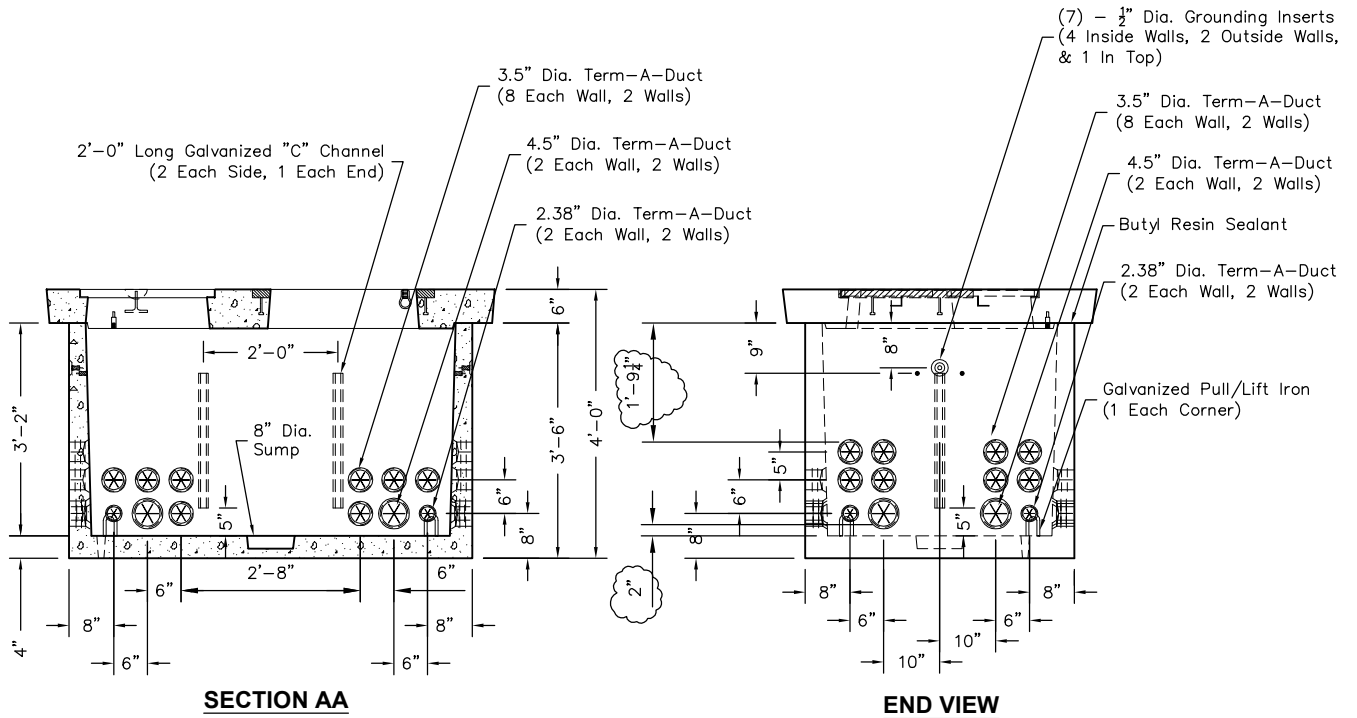
PLAN VIEW

No. 64-TRANS-2436P-1626-0
PCORP #7992977



PLAN VIEW

No. 64-TRANS-2436P-1626
PCORP #7999352



SECTION AA

END VIEW