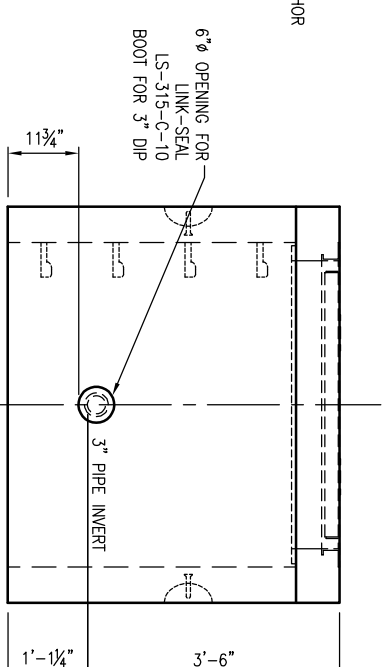
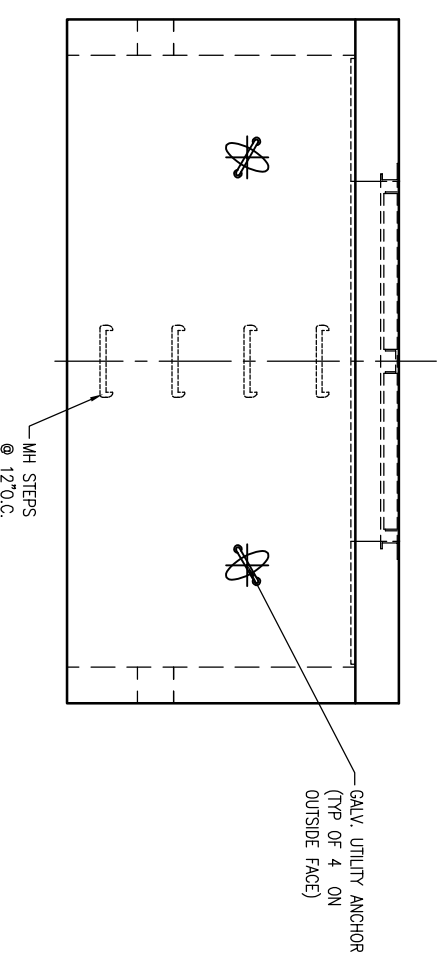
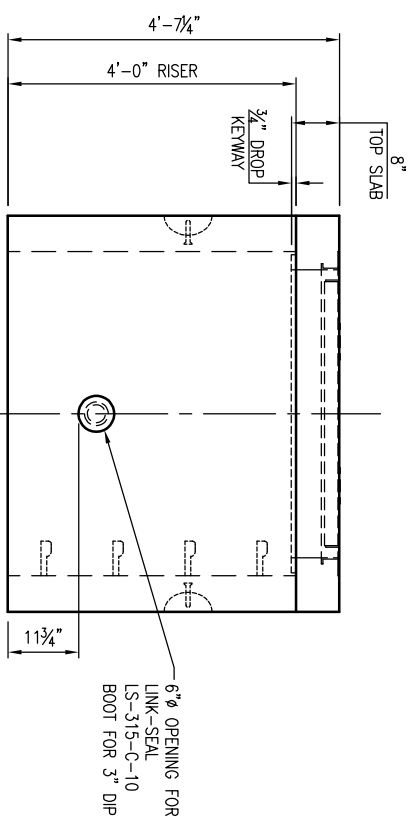
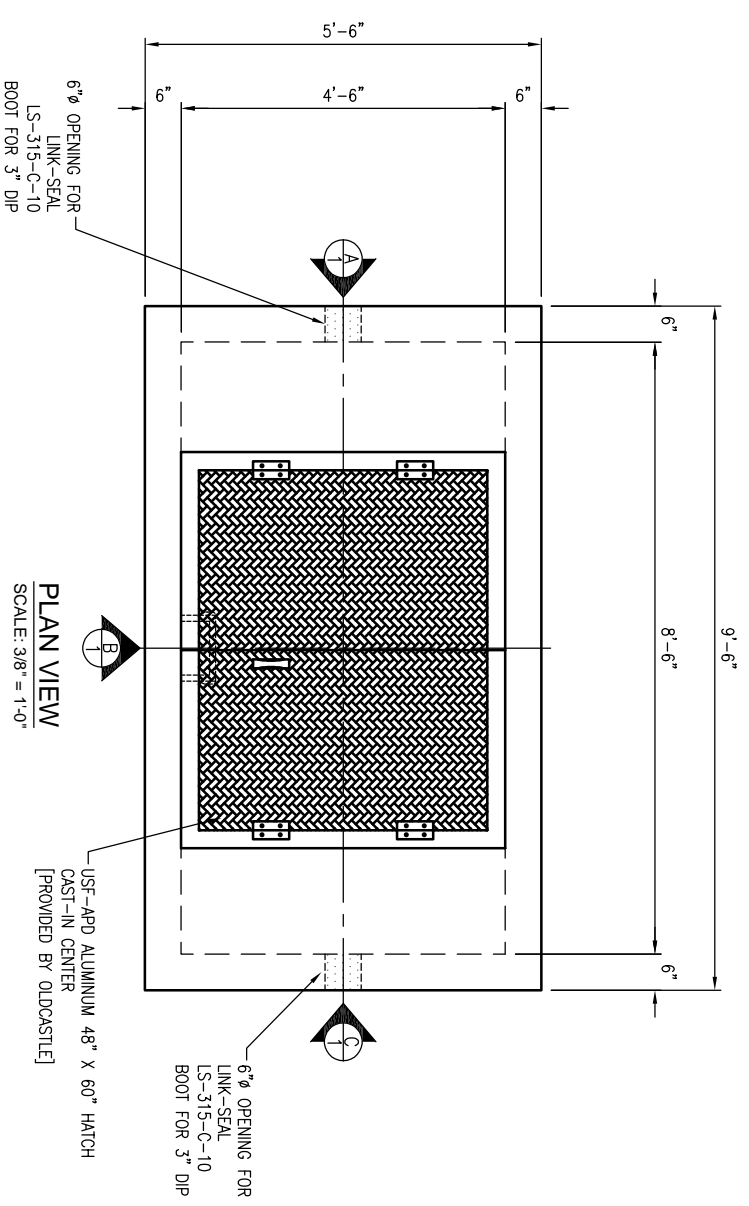


GENERAL DESIGN NOTES

- APPLICABLE DESIGN CODES:
 - ACI 318 (MAIN DESIGN SPECIFICATION)
 - AASHTO LRFD SPECIFICATIONS FOR HWY BRIDGES, 17TH EDITION (SUPPLEMENTARY DESIGN SPEC FOR LOADING)
- PRECAST RATED FOR PEDESTRIAN (300 PSF) LIVE LOAD W/ IMPACT I.A.W. ASTM C890.
- DESIGN FILL AT GRADE.
- GROUND WATER TABLE ASSUMED AT 3.50' BELOW GRADE. IF DESIGN (OR ACTUAL) WATER TABLE IS LESS THAN ASSUMED, REVIEWING ENGINEER TO NOTIFY OLDCASTLE PRECAST UPON REVIEW OF THIS SUBMITTAL.
- LATERAL DESIGN PRESSURES:
 - EQUIV DRY SOIL FLUID PRESSURE = 47 PSF
 - EQUIV SATURATED SOIL FLUID PRESSURE = 86 PSF
 - LIVE LOAD SURCHARGE PRESSURE = 2'
- CONCRETE COMPRESSIVE STRENGTH AT 28 DAYS = 4,000 PSI (MIN).
- REINFORCEMENT: ASTM A615, GRADE 60.
- JOINT SEALANT: BUTYL RUBBER, SS-0100210
- THIS MANHOLE DOES NOT INCLUDE ANY LATERAL OR SURCHARGE LOADS PRODUCED BY OTHER FOOTINGS OR FOUNDATIONS ADJACENT TO THIS STRUCTURE. THIS STRUCTURE SHALL BE KEPT A MINIMUM OF 1:1 RATIO AWAY FROM OTHER FOOTINGS OR FOUNDATIONS.

NOTES TO CONTRACTOR:

- CONTRACTOR SHALL PROVIDE ALL FITTINGS, PIPING, ETC. PER PWC SPECIFICATIONS.
- CONTRACTOR SHALL BACKFILL DOGHOUSE OPENINGS WITH BRICK AND MORTAR PER PWC SPECIFICATIONS.
- CONTRACTOR SHALL PROVIDE 12" GRAVEL BASE AND CAP BLOCK FOOTING PER PWC SPECIFICATIONS (I.E. LEVEL AND COMPACTED)



WEIGHTS		
SECTION	WEIGHT (lb)	Quantity
8" SLAB TOP	2,700	0.67
48" RISER	8,700	2.15
TOTAL	11,400	



THIS DOCUMENT IS THE PROPERTY OF OLDCASTLE PRECAST, INC. IT IS CONSIDERED LOANED TO THE USER FOR THE PURPOSES OF THE PROJECT ONLY. IT IS NOT TO BE REPRODUCED OR TRANSMITTED IN ANY FORM OR BY ANY MEANS, ELECTRONIC OR MECHANICAL, INCLUDING PHOTOCOPYING, RECORDING, OR BY ANY INFORMATION STORAGE AND RETRIEVAL SYSTEM, WITHOUT THE WRITTEN PERMISSION OF OLDCASTLE PRECAST, INC. COPYRIGHT © 2014 OLDCASTLE PRECAST, INC. ALL RIGHTS RESERVED.

4'-6"X8'-6"X4' ID METER VAULT (3" METER)
 SUBMITTAL LAYOUT
 CITY OF DURHAM

REVISIONS

REVISION	DATE	BY	SHEET	DESCRIPTION OF REVISION	REQUESTED BY
A					
B					

DATE	SIZES	DRAWN	ENGINEER	CHECKED	SALES ORDER SHEET
9/13/17	SB	EMT			107/487
	DRAWING NUMBER			REVISION	1 OF 4
	4866M/DURHAM 3			REV/DATE	