

GENERAL DESIGN NOTES:

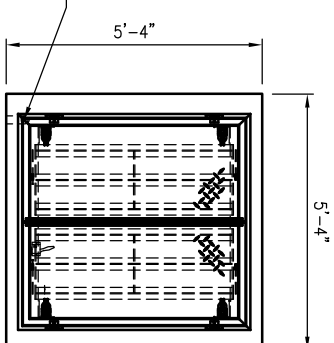
- STRENGTH DESIGN METHOD IN ACCORDANCE WITH (L.A.W.) ACI 318.
- APPLICABLE DESIGN DOCUMENTS (CURRENT EDITIONS):
 - ACI 318 BUILDING CODE REQUIREMENTS FOR STRUCTURAL CONCRETE (MAIN DESIGN SPECIFICATION).
 - ASTM C890 STANDARD PRACTICE FOR MINIMUM STRUCTURAL LOADING FOR MONOLITHIC OR SECTIONAL PRECAST CONCRETE WATER AND WASTEWATER STRUCTURES (LOADING SPECIFICATION).
 - ASTM C973 STANDARD SPECIFICATION FOR PRECAST CONCRETE WATER AND WASTEWATER STRUCTURES (PRODUCT SPECIFICATION).
- PRECAST RATED FOR HS20-44 TRUCK LIVE LOAD W/ IMPACT I.A.W. ASTM C890.
- DESIGN FILL: 0' TO 1'-0" (MAX)
- GROUND WATER TABLE ASSUMED AT 5'-0" BELOW GRADE. IF DESIGN (OR ACTUAL) WATER TABLE IS LESS THAN ASSUMED, REVIEWING ENGINEER TO NOTIFY OLDCASTLE PRECAST UPON REVIEW OF THIS SUBMITTAL.
- LATERAL DESIGN PRESSURES (AS APPLICABLE TO DESIGN, SEE CALCULATIONS):
 - EQUIV DRY SOIL FLUID PRESSURE = 47 PCF.
 - EQUIV SATURATED SOIL FLUID PRESSURE = 66 PCF.
 - LIVE LOAD SURCHARGE PRESSURE = 80 PSF.
 - HYDROSTATIC WATER PRESSURE = 82.4 PCF.
- DESIGN CONCRETE COMPRESSIVE STRENGTH AT 28 DAYS = 5,000 PSI (MIN).
- REINFORCEMENT: CARBON-STEEL DEFORMED BARS: ASTM A615, fy = 60KSI (MIN).
- JOINT SEALANT (AS DETAILED AND NOTED IN DRAWINGS HEREIN):
 - CS-102 CONSERVAL BUTYL RUBBER SEALANT (OR EQUIV.) I.A.W. ASTM C990 FED. SPEC. SS-S-210.
- PRECAST DESIGN DOES NOT INCLUDE ANY LATERAL OR SURCHARGE LOADS FROM OTHER BUILDINGS OR FOUNDATIONS ADJACENT TO THIS STRUCTURE. THIS STRUCTURE SHALL BE KEPT A MINIMUM OF 1:1 RATIO AWAY FROM OTHER FOOTINGS OR FOUNDATIONS.

NOTES TO CONTRACTOR:

- PLEASE VERIFY ALL SIZES, LOCATIONS, AND ELEVATIONS OF OPENINGS.
- THE CONTRACTOR SHALL BE RESPONSIBLE FOR PROPER COORDINATION TO ENSURE THAT AN ADEQUATE BEARING SURFACE IS PROVIDED (I.E. LEVEL AND COMPACTED) PER PROJECT SPECIFICATIONS AND DRAWINGS.
- THE CONTRACTOR SHALL BE RESPONSIBLE TO SLOPE FLOOR TOWARDS DRAIN.
- THE CONTRACTOR SHALL BE RESPONSIBLE FOR PIPING HATCH DRAIN AS RECOMMENDED BY INSPECTOR.

NOTE TO REVIEWING ENGINEER:

- LIMITED INFORMATION PROVIDED. PLEASE ENSURE PRECAST SHOWN HEREIN MEETS PROJECT REQUIREMENTS.



PLAN VIEW OF RISER W/ HATCH

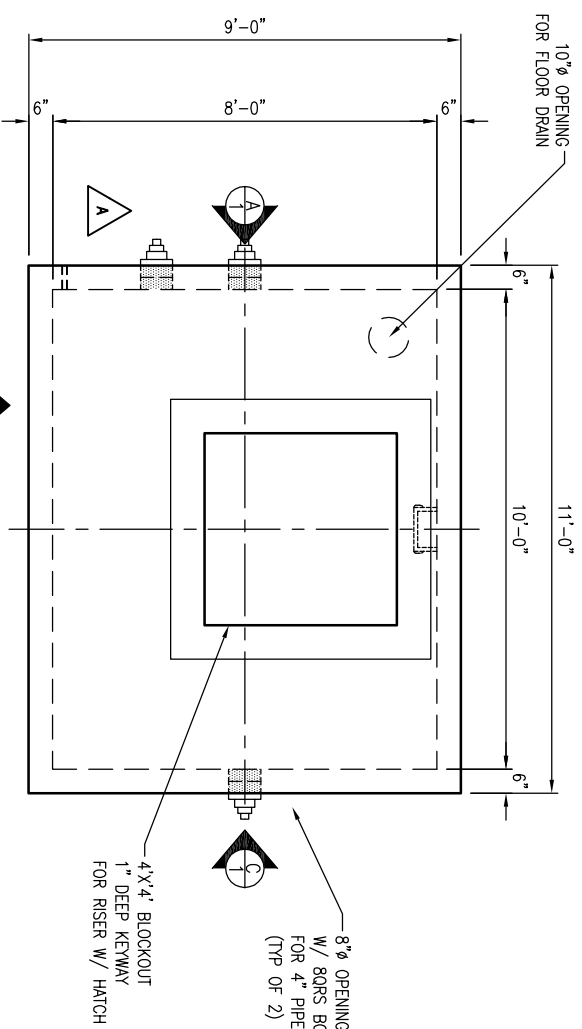
SCALE: 1/4" = 1'-0"

SCALE: 1/4" = 1'-0"



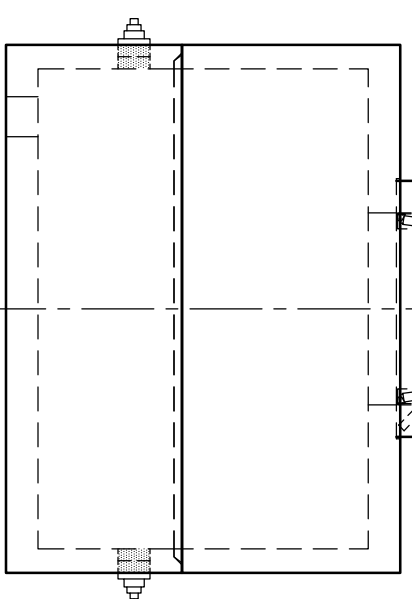
PLAN VIEW

SCALE: 1/4" = 1'-0"



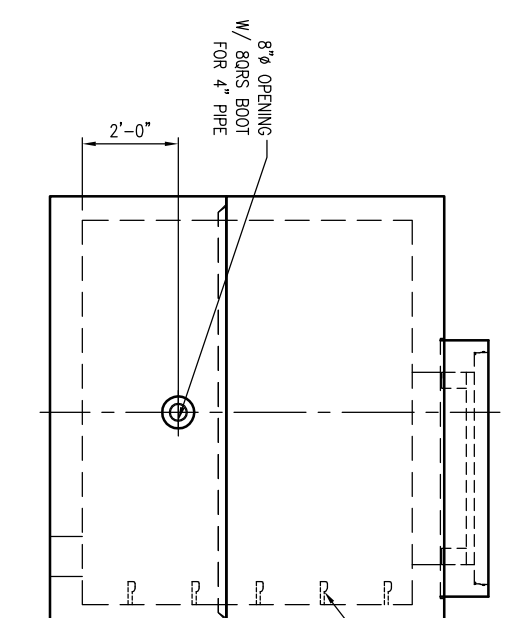
4'x4' ALUM DBL DOOR
H2O BILCO HATCH
(MODEL #AD-2ALH20)

4'x4'x1' ID
RISER
W/ HATCH
(SEE HEREIN)



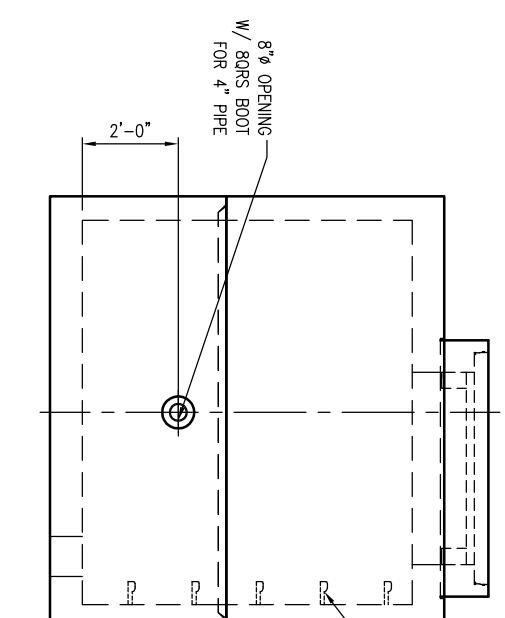
VIEW B

SCALE: 1/4" = 1'-0"



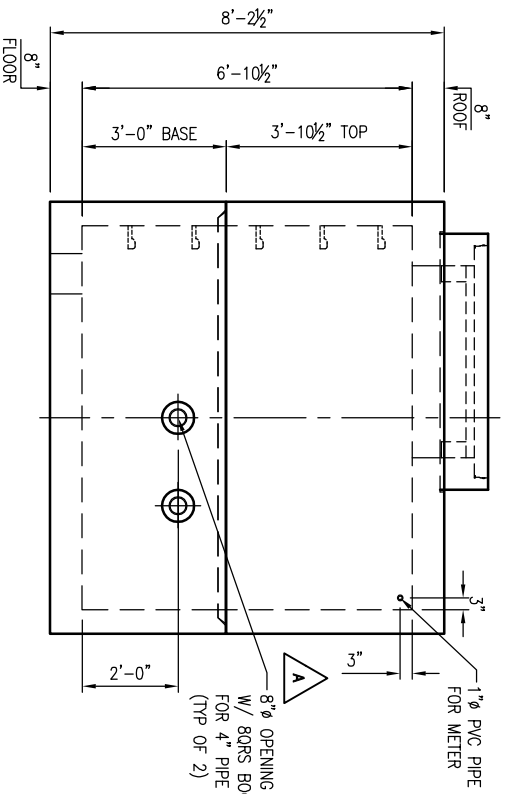
VIEW C

SCALE: 1/4" = 1'-0"



VIEW A

SCALE: 1/4" = 1'-0"



VIEW A

SCALE: 1/4" = 1'-0"

REVISIONS

REVISION	DATE	BY	SHEET	DESCRIPTION OF REVISION	REQUESTED BY
A					
B					

THIS MUST BE FILLED OUT BEFORE MANUFACTURING BEGINS

APPROVED W/ NO EXCEPTIONS TAKEN:

APPROVED AS NOTED:

REVISED AND RESUBMIT:

SIGNATURE: _____ DATE: _____

SECTION	WEIGHT (lbs)	Concrete (CY)
TOP	19,800	4.89
BASE	18,500	4.57
RISER	1,900	0.47
TOTAL	40,200	



THIS DOCUMENT IS THE PROPERTY OF OLDCASTLE PRECAST, INC. IT IS CONSIDERED LOANED TO THE USER FOR REFERENCE PURPOSES ONLY, AND SHALL NOT BE USED IN ANY WAY WITHOUT THE WRITTEN PERMISSION OF OLDCASTLE PRECAST, INC. COPYRIGHT © 2017 OLDCASTLE PRECAST, INC. ALL RIGHTS RESERVED.



8X10' ID METER VAULT

SUBMITTAL LAYOUT
3' TO 4" WATER METER VAULT

CHAPEL HILL, NC

CUSTOMER: ORANGE WATER AND SEWER AUTHORITY

DATE: 7/19/17
 DRAWING NUMBER: 810M-A-3QWSA

DESIGNED BY: LD
 CHECKED BY: EMT
 REVISION: 1 OF 1