

575-SECT-PCORP

5 x 7, 15 kV, 3-Phase Sectionalizing Cabinet Padvault, Stock Item 7992605
 5 x 7, 25 kV, 3-Phase Sectionalizing Cabinet Padvault, Stock Item 7992606
 5 x 7, 35 kV, 3-Phase Sectionalizing Cabinet Padvault, Stock Item 7992607

TOP

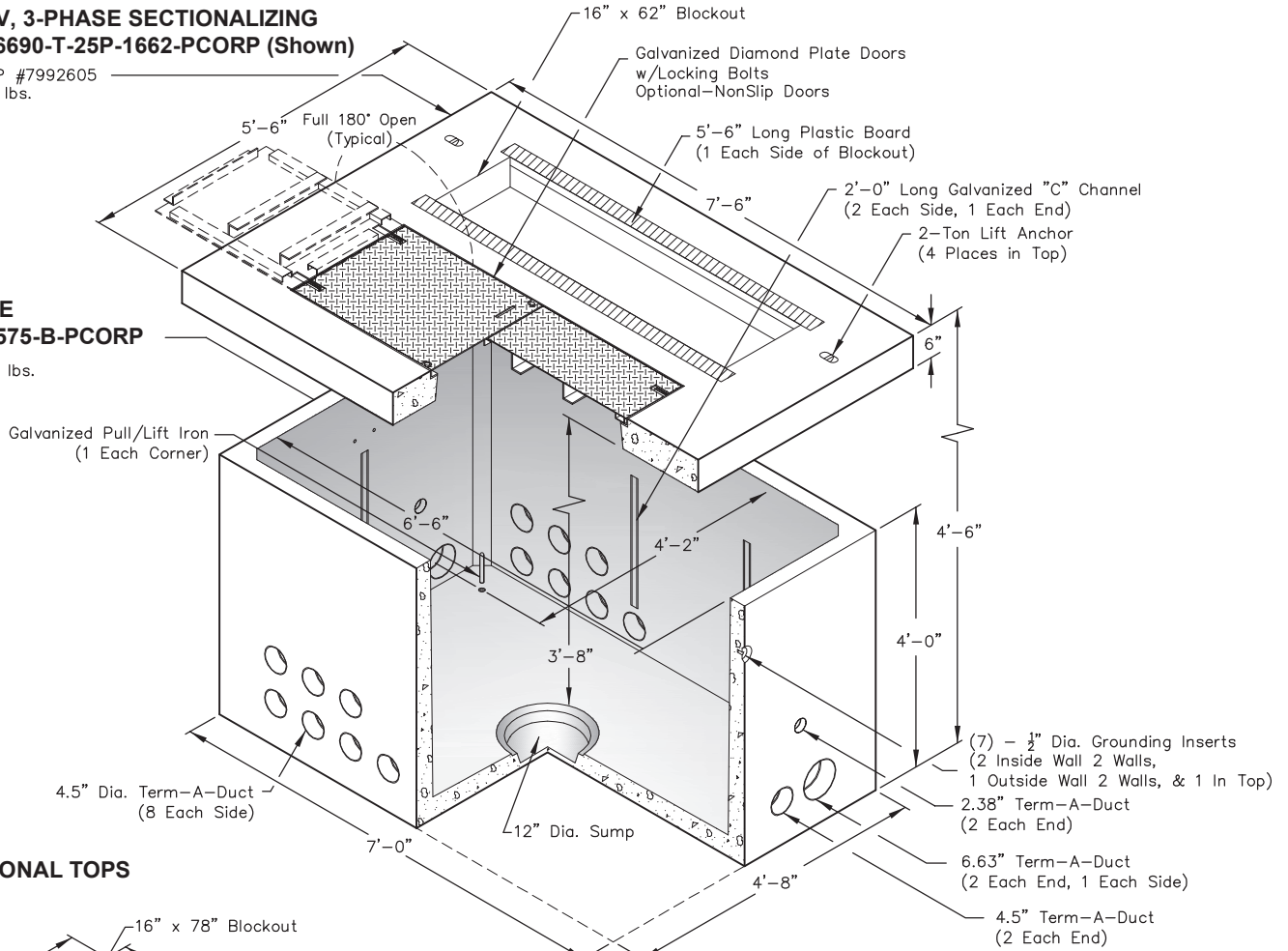
**15 kV, 3-PHASE SECTIONALIZING
 No. 6690-T-25P-1662-PCORP (Shown)**

PCORP #7992605
 2,148 lbs.

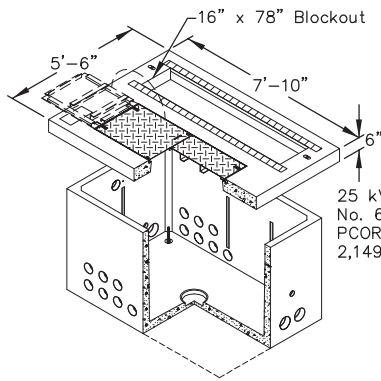
BASE

No. 575-B-PCORP

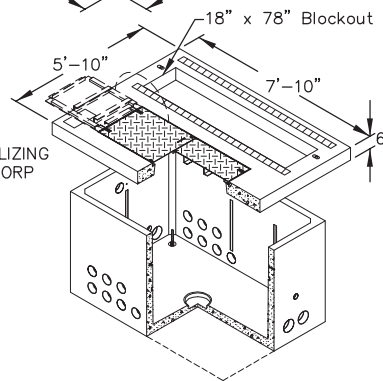
4,800 lbs.



OPTIONAL TOPS



25 kV, 3-PHASE SECTIONALIZING
 No. 6694-T-25P-1678-PCORP
 PCORP #7992606
 2,149 lbs.



35 kV, 3-PHASE SECTIONALIZING
 No. 7094-T-25P-1878-PCORP
 PCORP #7992607
 2,262 lbs.

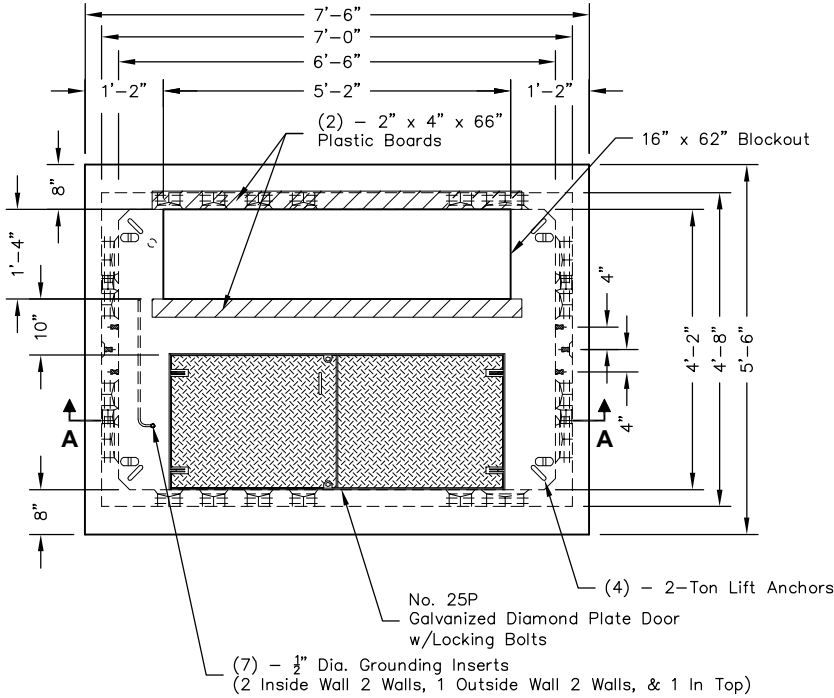
Scale: 3/8" = 1'-0"

Non Skid Covers Available

FOR DETAILS, SEE REVERSE>>

Items Shown Are Subject To Change Without Notice
 Issue Date: April 2016

575-SECT-PCORP

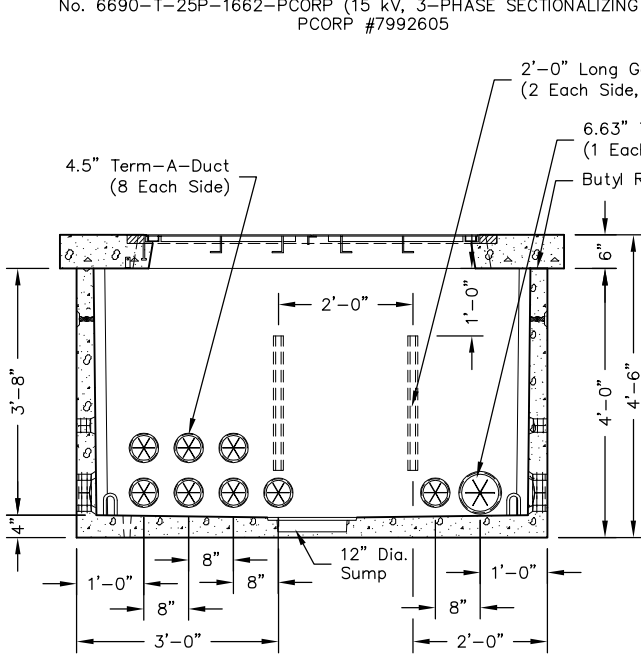


CABINET
HOLD-DOWN CLEAT
(6) - REQUIRED

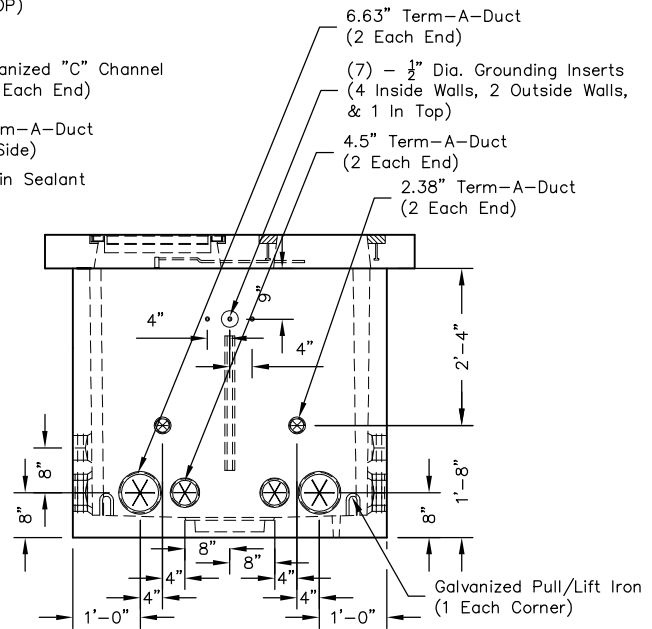
- 1 1/4" x 2 1/2" Stainless Steel Hold-Down Cleat
- 1/2" x 2" Galvanized Lag Screw
- 2" Stainless Steel Bellville Washer

PLAN VIEW

No. 6690-T-25P-1662-PCORP (15 kV, 3-PHASE SECTIONALIZING TOP)
PCORP #7992605



SECTION AA



END VIEW

Scale: 3/8" = 1'-0"