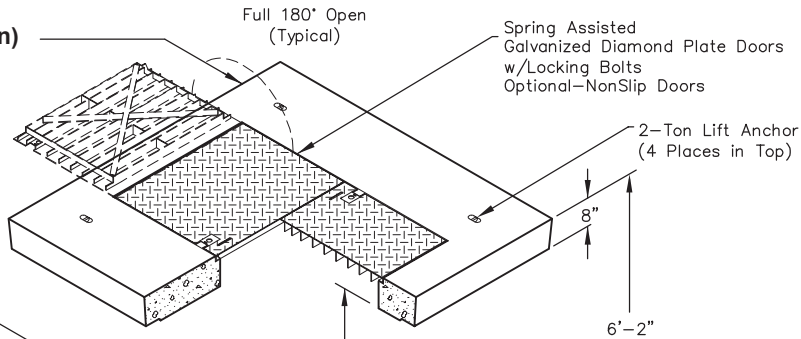


# 776-MH-PCORP

**7 x 7, Manhole Incidental Traffic Vault, Stock Item 7992594**  
**7 x 7, Manhole Full Traffic Vault, Stock Item 7992595**

**TOP**  
**INCIDENTAL TRAFFIC**  
**No. 77-8-T-352P-PCORP (Shown)**

PCORP #7992594  
3,830 lbs.

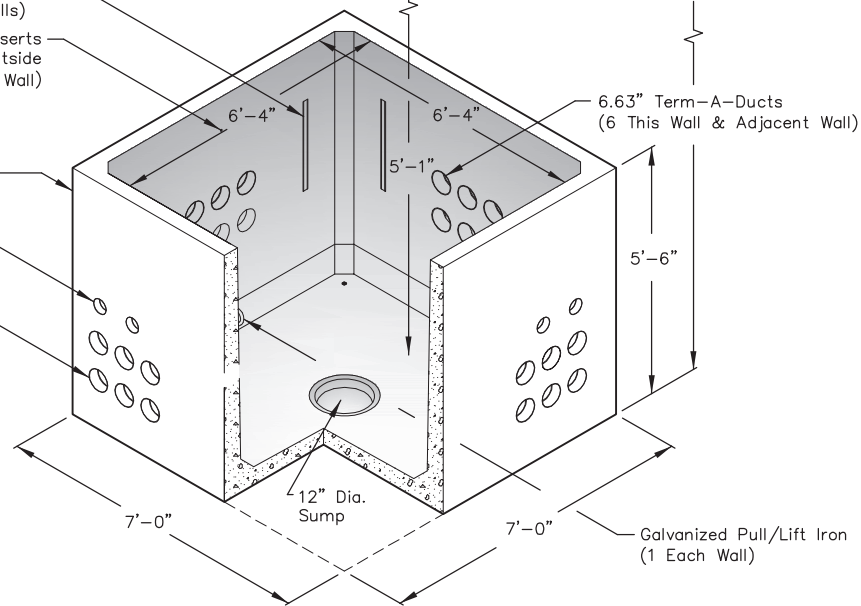


2'-0" Long Galvanized Vertical "C" Channel (2 Each 2 Walls & 1 Each 2 Walls)  
(6) - 1/2" Dia. Grounding Inserts (2 Inside, 1 Outside This Wall & Opposite Wall)

**BASE**  
**No. 776-66-B-PCORP**

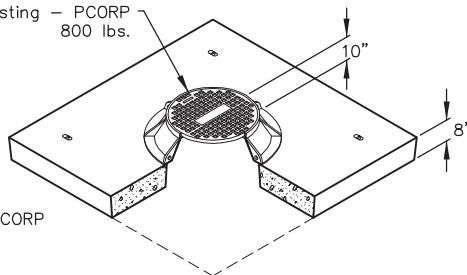
10,420 lbs.

2.38" Term-A-Ducts (2 This Wall & Adjacent Wall)  
6.63" Term-A-Ducts (6 This Wall & Adjacent Wall)



**OPTIONAL TOP**

No. 30" x 10" Casting - PCORP  
800 lbs.



**FULL TRAFFIC**  
**No. 77-8-T-38C-PCORP**  
PCORP #7992595  
4,450 lbs.

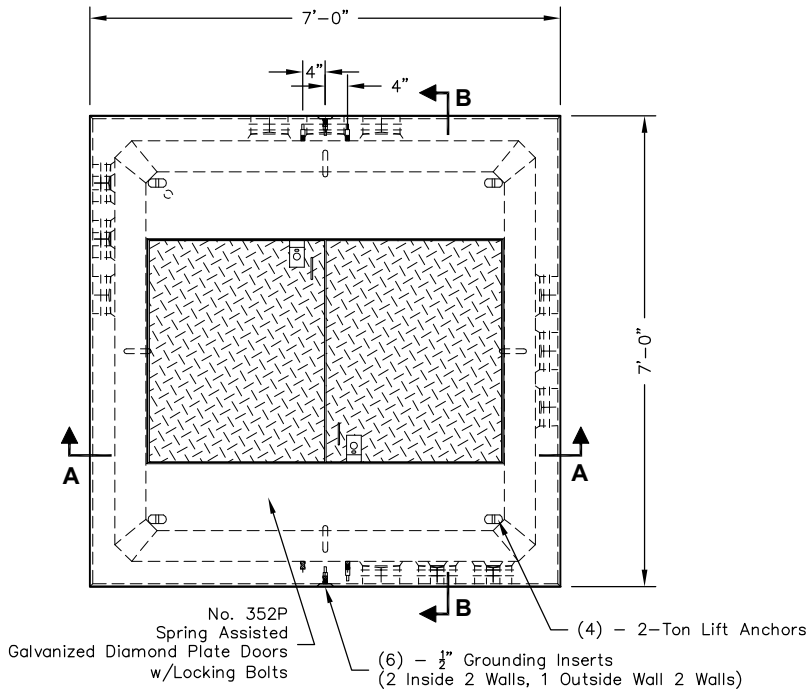
Scale: 1/4" = 1'-0"

Non Skid Covers Available

**FOR DETAILS, SEE REVERSE>>**

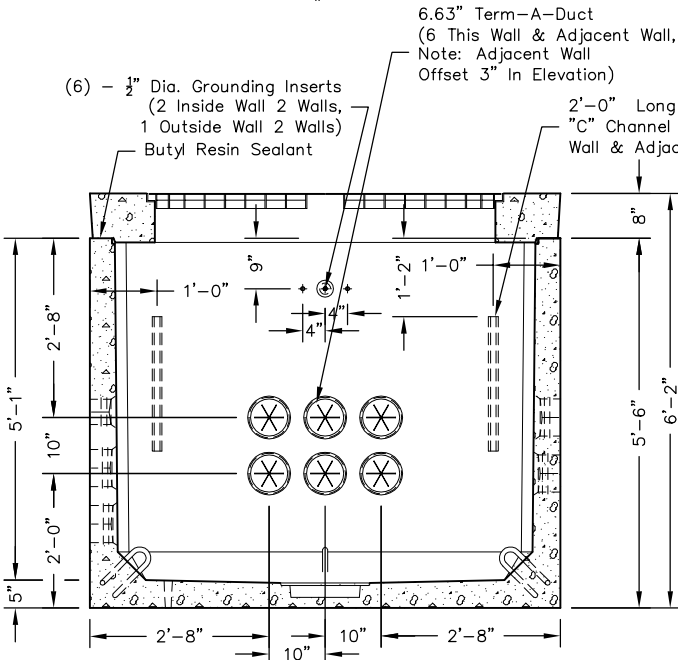
Items Shown Are Subject To Change Without Notice  
Issue Date: April 2016

# 776-MH-PCORP

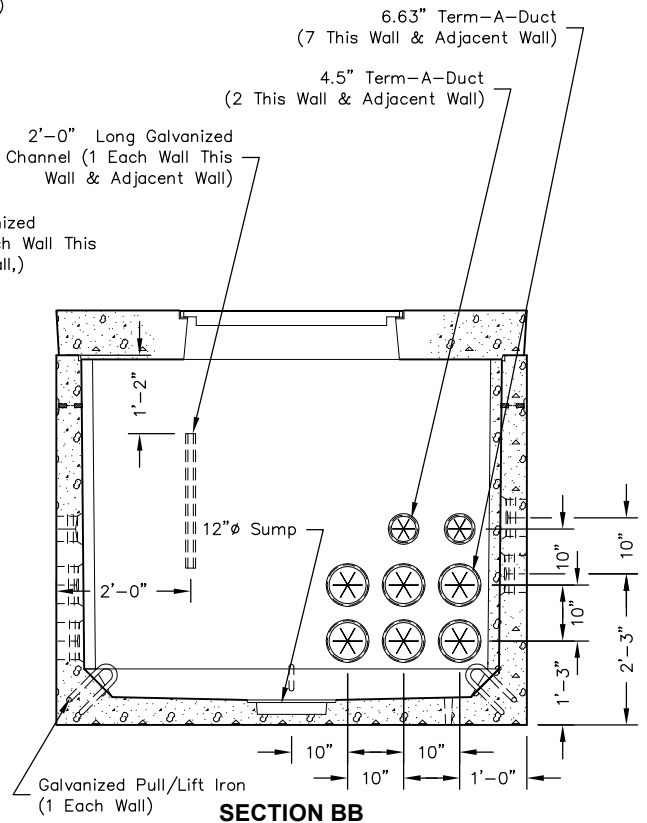


**PLAN VIEW**

No. 77-8-T-352P-PCORP (INCIDENTAL TRAFFIC TOP)  
PCORP #7992594



**SECTION AA**



**SECTION BB**

Scale: 3/8" = 1'-0"