

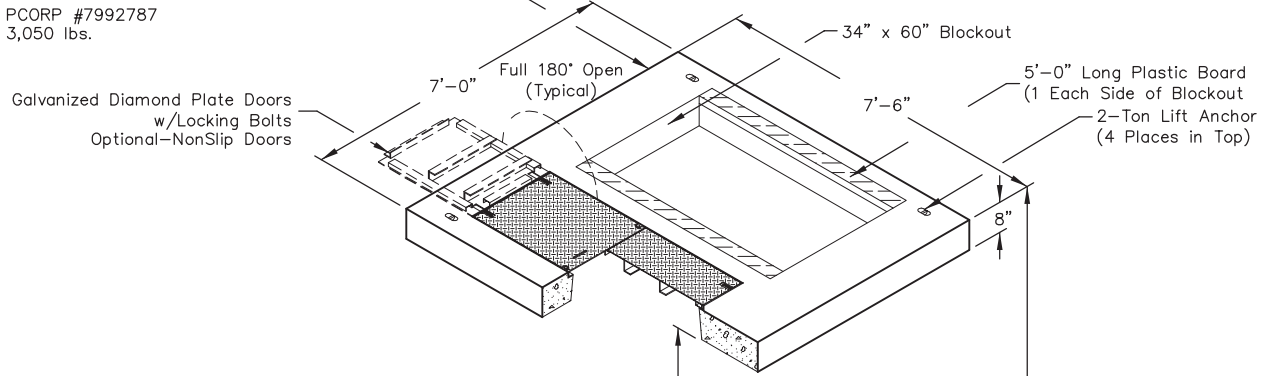
776-SWITCH-PCORP

7 x 7, 15 kV, 600 Amp, PME-3 Switchgear Padvault, Stock Item 7992787

TOP

No. 8490-8-T-25P-3460-PCORP

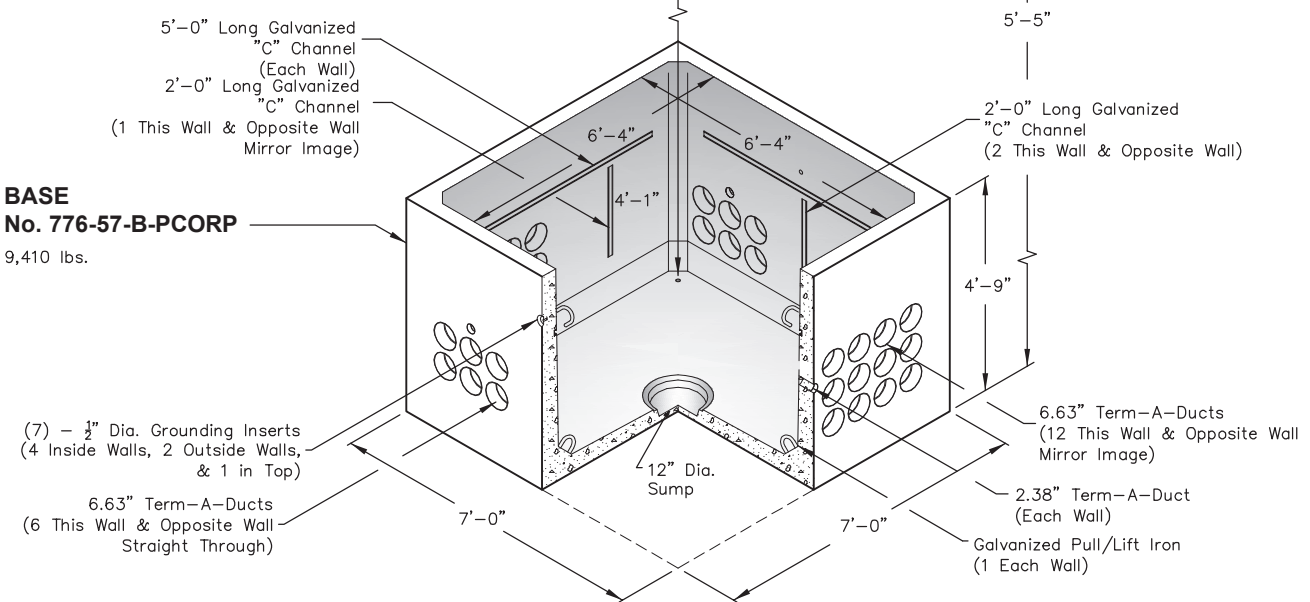
PCORP #7992787
3,050 lbs.



BASE

No. 776-57-B-PCORP

9,410 lbs.



CABINET
HOLD-DOWN CLEAT
(4) - REQUIRED

- 1 1/4" x 2 1/2" Stainless Steel Hold-Down Cleat
- 1/2" x 2" Galvanized Lag Screw
- 1/2" Stainless Steel Belleville Washer

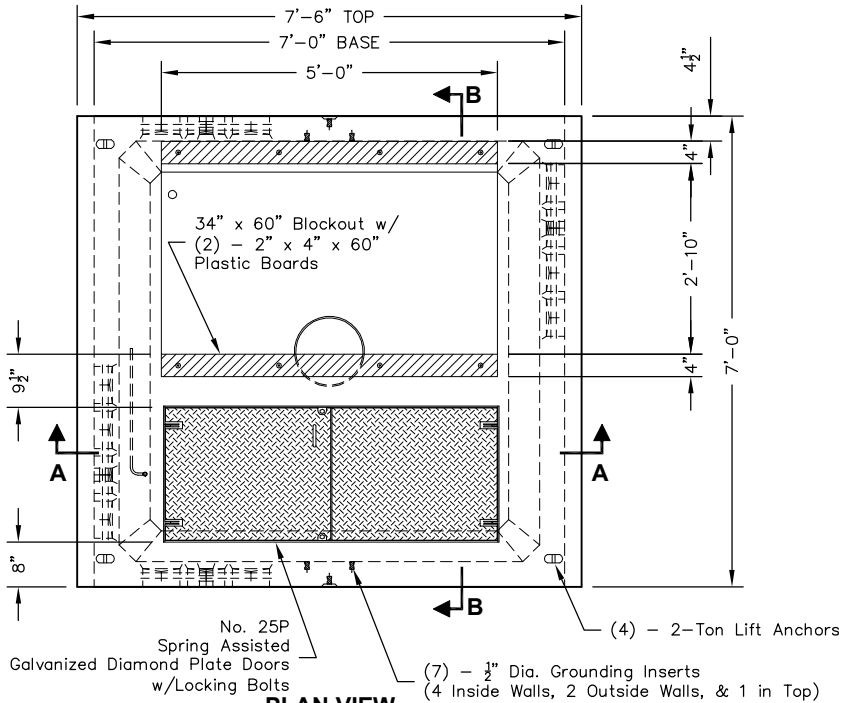
Scale: 1/4" = 1'-0"

Non Skid Covers Available

FOR DETAILS, SEE REVERSE>>

Items Shown Are Subject To Change Without Notice
Issue Date: April 2016

776-SWITCH-PCORP



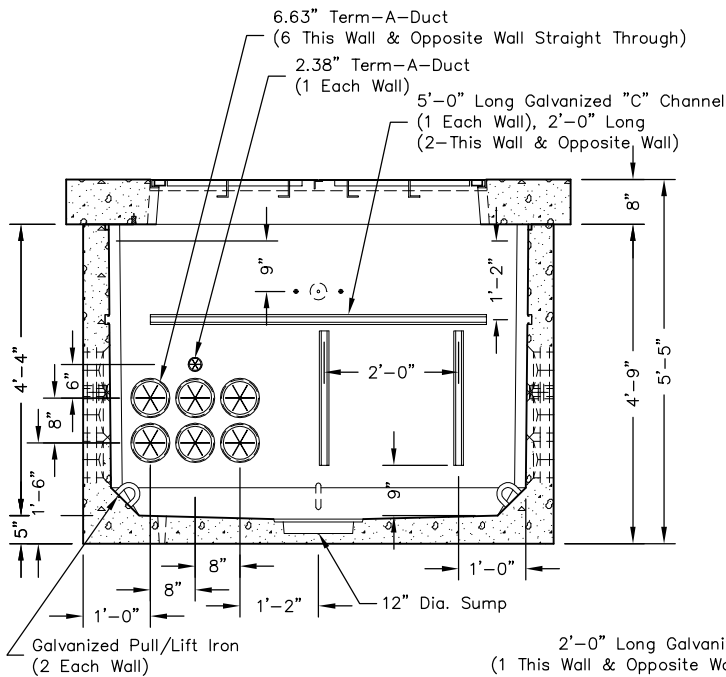
PLAN VIEW

No. 8490-8-T-25P-3460
(15 kV, PME-3 SWITCHGEAR TOP)
PCORP #7992787

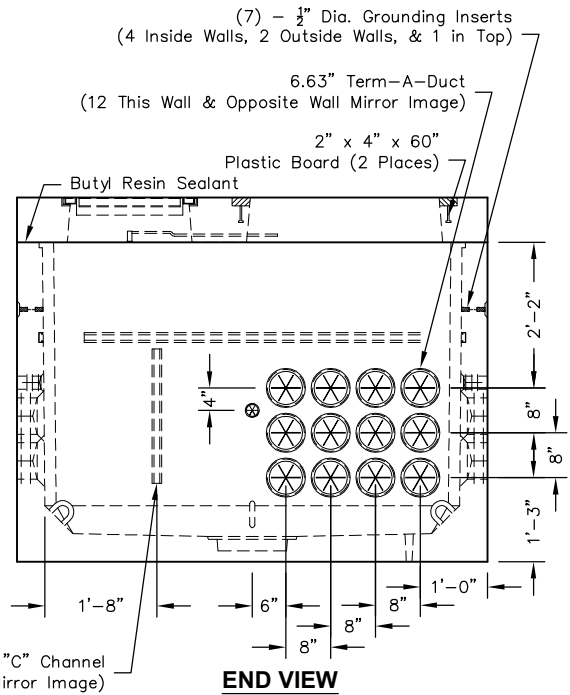


CABINET
HOLD-DOWN CLEAT
(4) - REQUIRED

- 1 1/4" x 2 3/4" Stainless Steel Hold-Down Cleat
- 1/2" x 2" Galvanized Lag Screw
- 1/2" Stainless Steel Belleville Washer



SECTION AA



END VIEW

Scale: 3/8" = 1'-0"