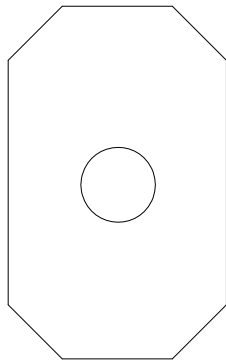
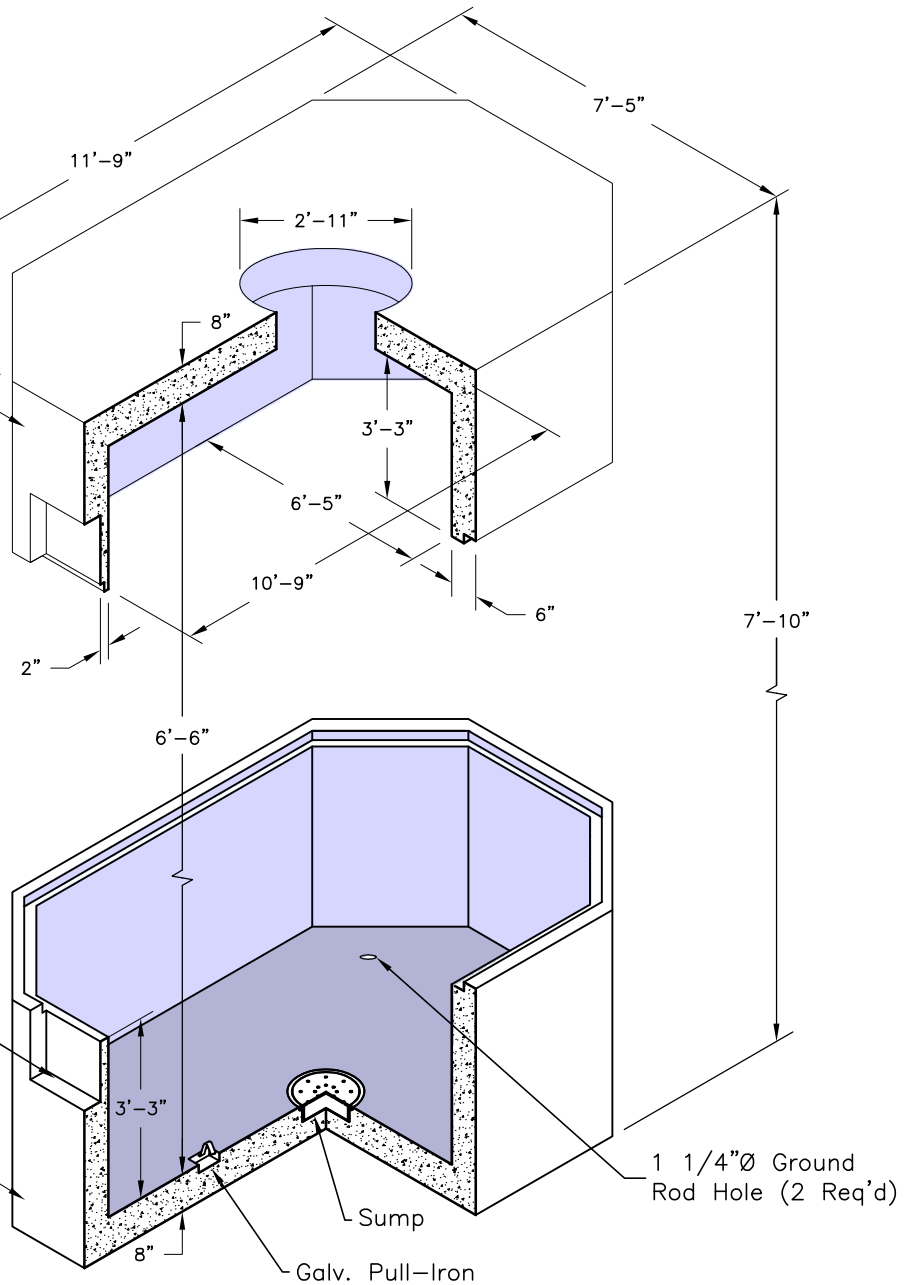


**TOP SECTION**  
**SM2MH-T**  
 Weight - 14,750 Lbs.

**PLAN**  
 N.T.S.

 Size and Location of  
 Knock Outs/Terminators  
 TBD by Customer

**BOTTOM SECTION**  
**SM2MH-B**  
 Weight - 15,250 Lbs.

**SPECIFICATIONS:**

1. Concrete: Design Strength of 5500 PSI at 28 Days.
2. Steel Reinforcement: ASTM A-615 Grade 60.
3. Loading: Designed for HS-20 Loading.
4. C.I. Castings: ASTM A-48 Class 30/35.

**GENERAL NOTES:**

1. Different Height Sections are Available on Request.
2. All Weights Calculated with Solid Walls.
3. Access Manhole Location & Opening Size may vary.
4. Knock Out/Termaducts Location & Size may vary.