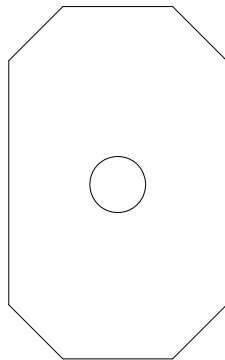


**TOP SECTION
LG2MH-T**

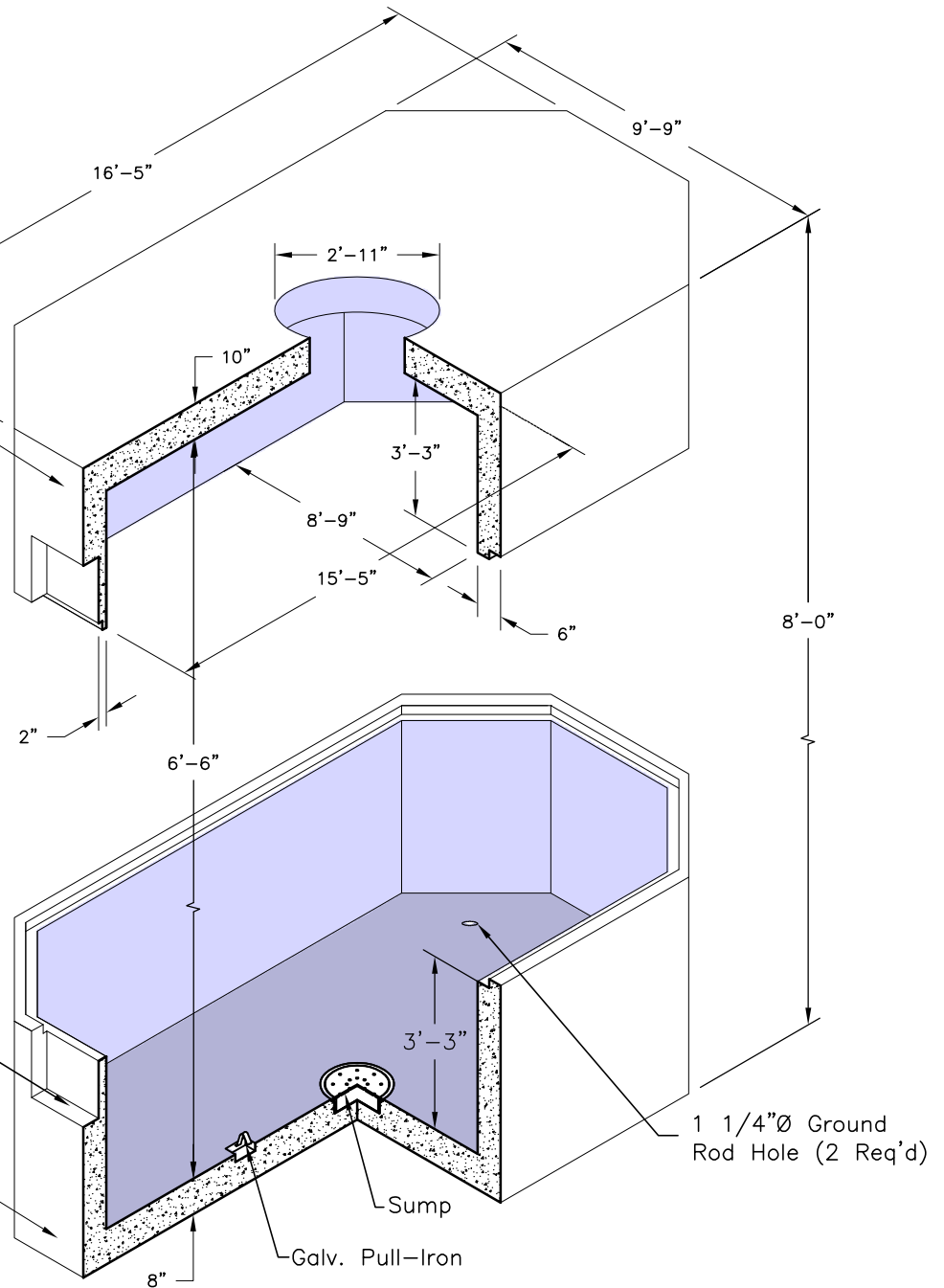
Weight - 27,350 Lbs.


PLAN
N.T.S.

 Size and Location of
Knock Outs/Terminators
TBD by Customer

**BOTTOM SECTION
LG2MH-B**

Weight - 25,300 Lbs.


SPECIFICATIONS:

1. Concrete: Design Strength of 5500 PSI at 28 Days.
2. Steel Reinforcement: ASTM A-615 Grade 60.
3. Loading: Designed for HS-20 Loading.
4. C.I. Castings: ASTM A-48 Class 30/35.

GENERAL NOTES:

1. Different Height Sections are Available on Request.
2. All Weights Calculated with Solid Walls.
3. Access Manhole Location & Opening Size may vary.
4. Knock Out/Termaducts Location & Size may vary.