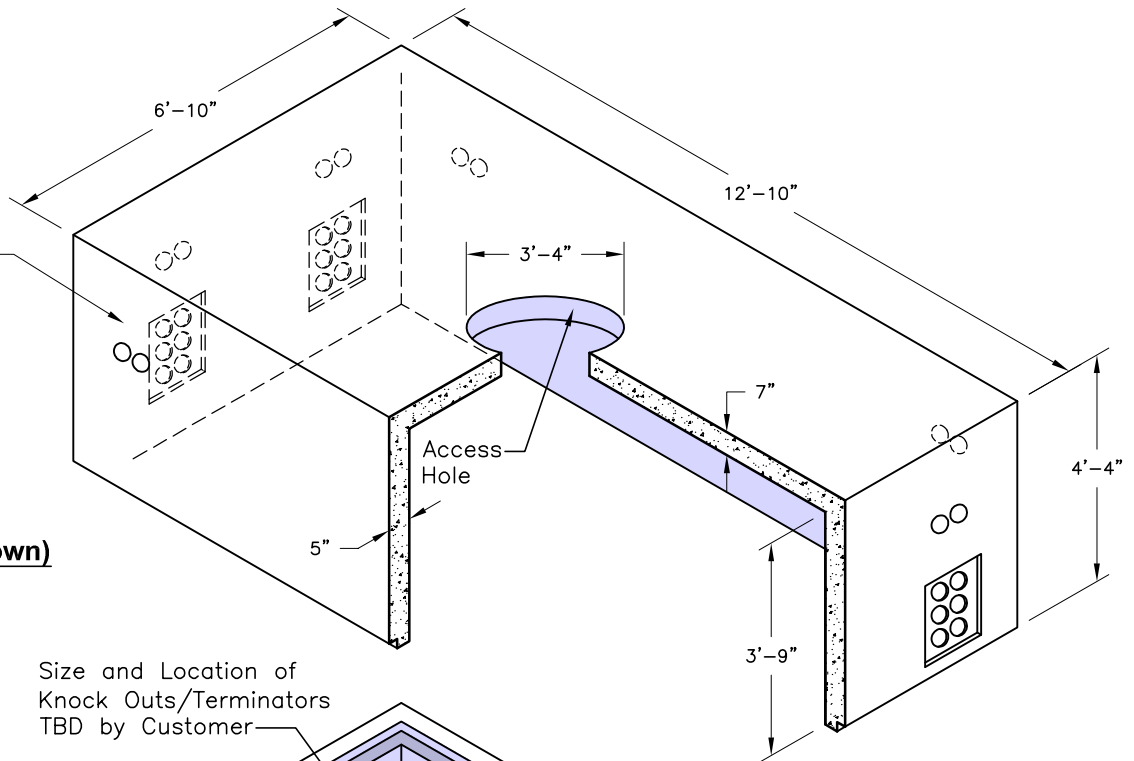
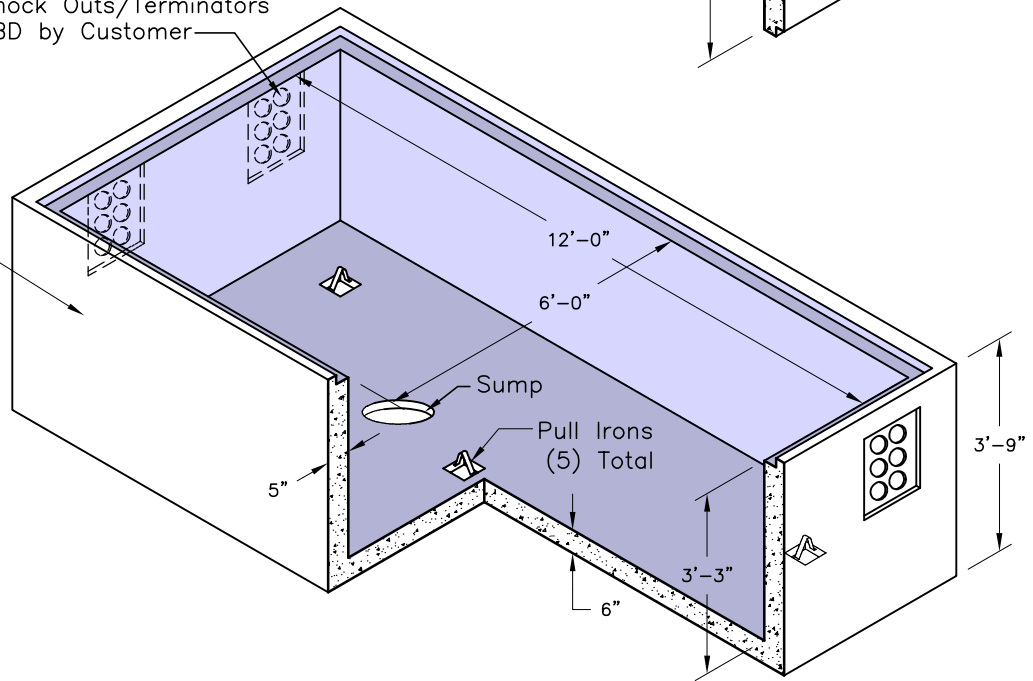


**TOP SECTION**  
**612 CV-T**  
 Weight- 14,905 lbs.

**EXTENSION (Not Shown)**  
**612 CV-E**  
 Weight- See Table

EXTENSION	
HT.	Weight
36"	11,600 Lbs.
60"	19,335 Lbs.

 Size and Location of  
 Knock Outs/Terminators  
 TBD by Customer

**BOTTOM SECTION**  
**612 CV-B**  
 Weight- 14,230 lbs

**SPECIFICATIONS:**

1. Concrete: Design Strength of 5500 PSI at 28 Days.
2. Steel Reinforcement: ASTM A-615 Grade 60.
3. Loading: Designed for HS-20 Loading.
4. C.I. Castings: ASTM A-48 Class 30/35.

**GENERAL NOTES:**

1. Different Height Sections are Available on Request.
2. All Weights Calculated with Solid Walls.
3. Access Manhole Location & Opening Size may vary.