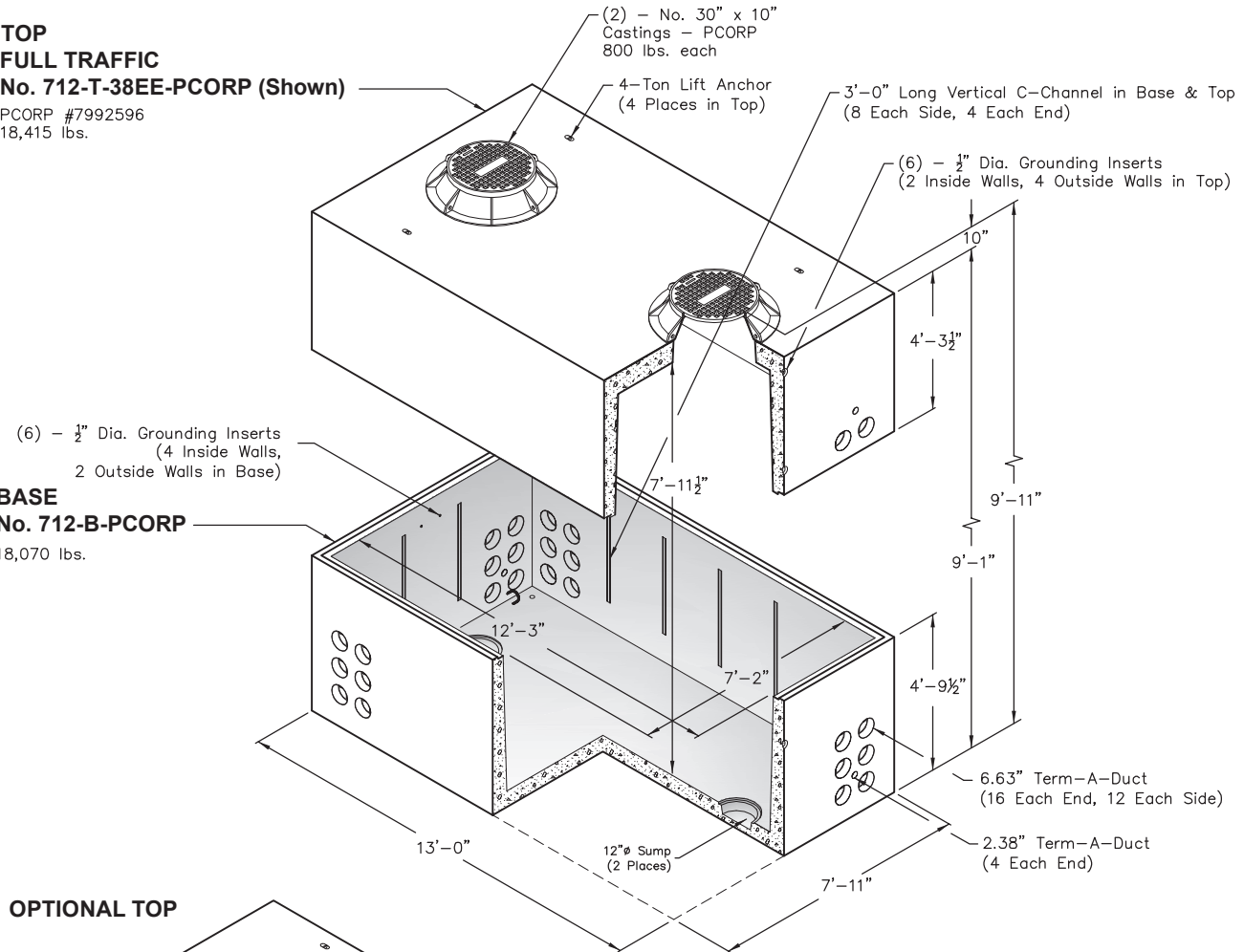


# 712-MH-PCORP

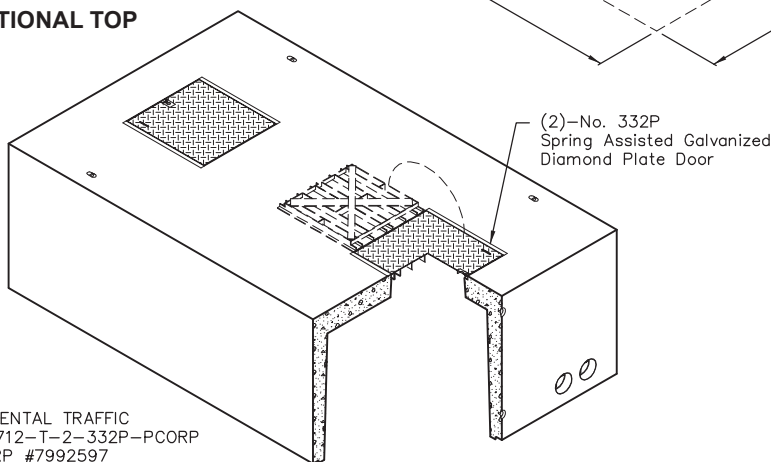
**7 x 12, Manhole Full Traffic Vault, Stock Item 7992596**  
**7 x 12, Manhole Incidental Traffic Vault, Stock Item 7992597**

**TOP**  
**FULL TRAFFIC**  
**No. 712-T-38EE-PCORP (Shown)**  
 PCORP #7992596  
 18,415 lbs.

**BASE**  
**No. 712-B-PCORP**  
 18,070 lbs.



**OPTIONAL TOP**



INCIDENTAL TRAFFIC  
 No. 712-T-2-332P-PCORP  
 PCORP #7992597  
 18,400 lbs.

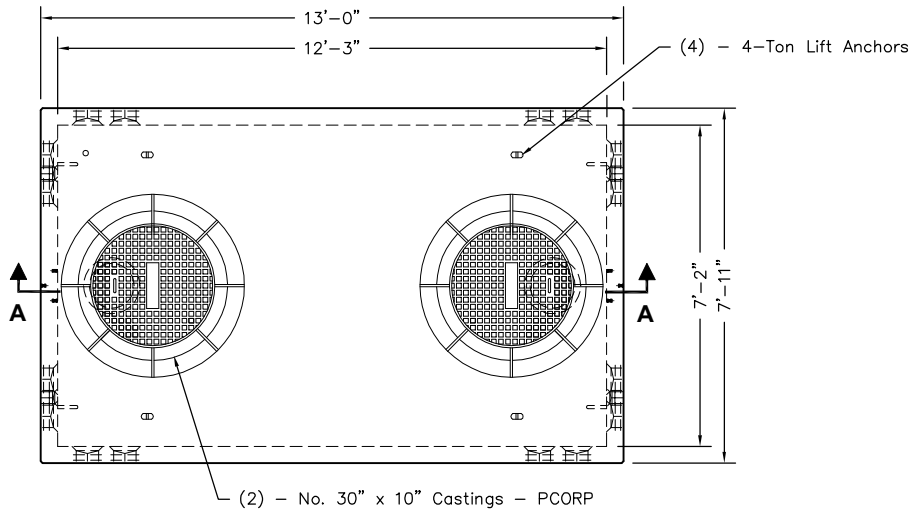
Scale: 3/16" = 1'-0"

Non Skid Covers Available

**FOR DETAILS, SEE REVERSE>>**

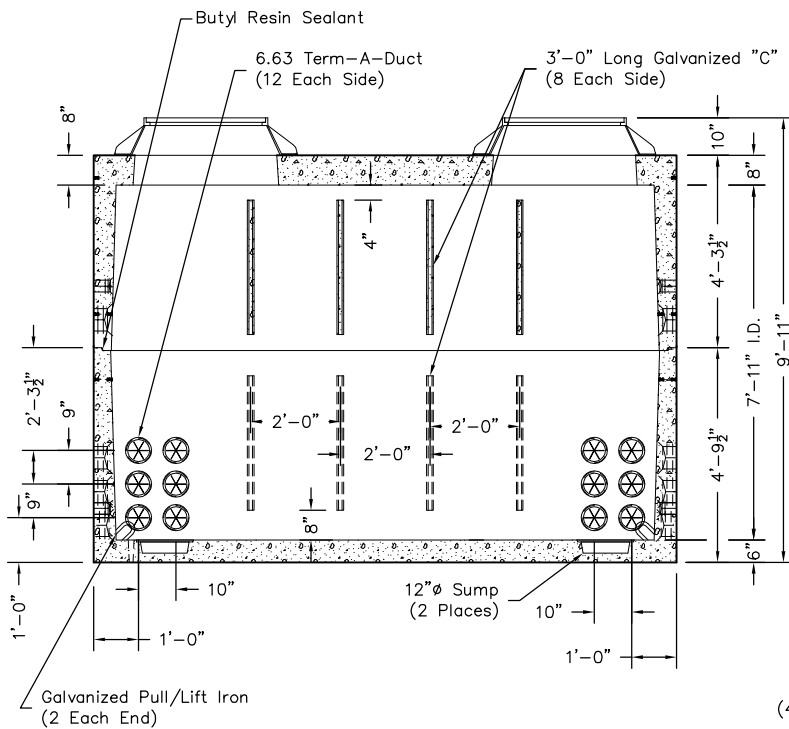
Items Shown Are Subject To Change Without Notice  
 Issue Date: April 2016

# 712-MH-PCORP



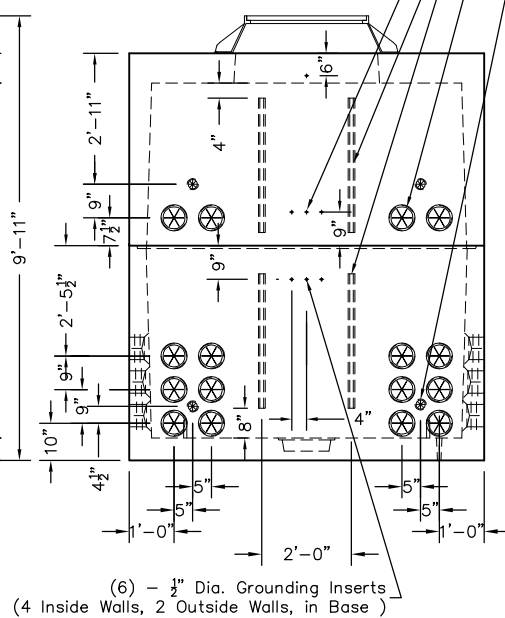
**PLAN VIEW**

No. 712-T-38EE-PCORP (FULL TRAFFIC TOP)  
PCORP #7992596



**SECTION AA**

- 2.38 Term-A-Duct (4 Each End)
- 6.63 Term-A-Duct (16 Each End)
- 3'-0" Long Galvanized "C" Channel (4 Each End)
- (6) -  $\frac{1}{2}$ " Dia. Grounding Inserts (2 Inside Walls, 4 Outside Walls, in Top)



**END VIEW**

Scale: 1/4" = 1'-0"