

712-FUSE-PCORP

7 x 12, 15/25 kV, 600 Amp, 3-Phase Fusing Cabinet Padvault, Stock Item 7992881

TOP

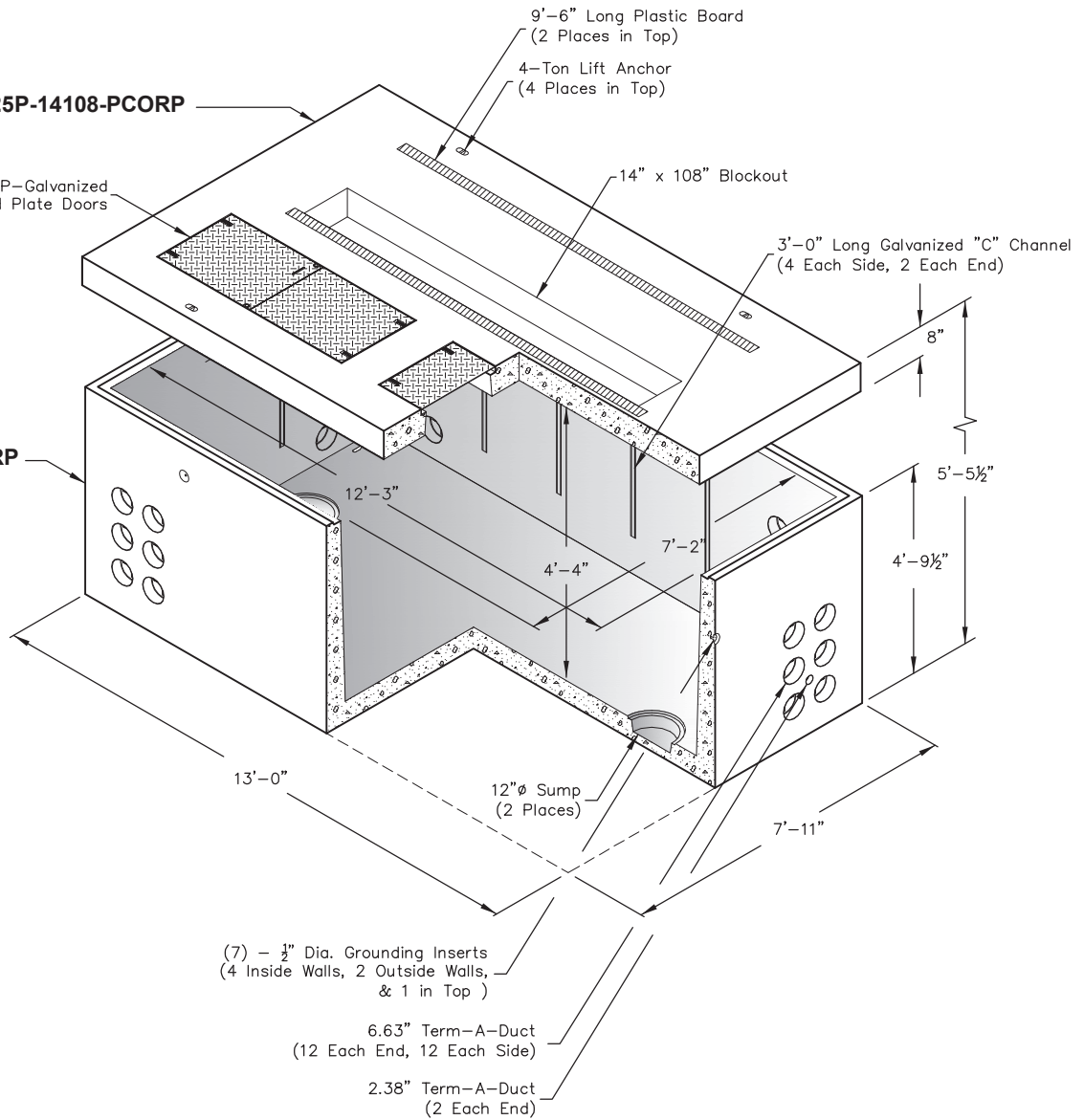
No. 95/156-T-2-25P-14108-PCORP

PCORP #7992881

BASE

No. 712-B-PCORP

18,070 lbs.



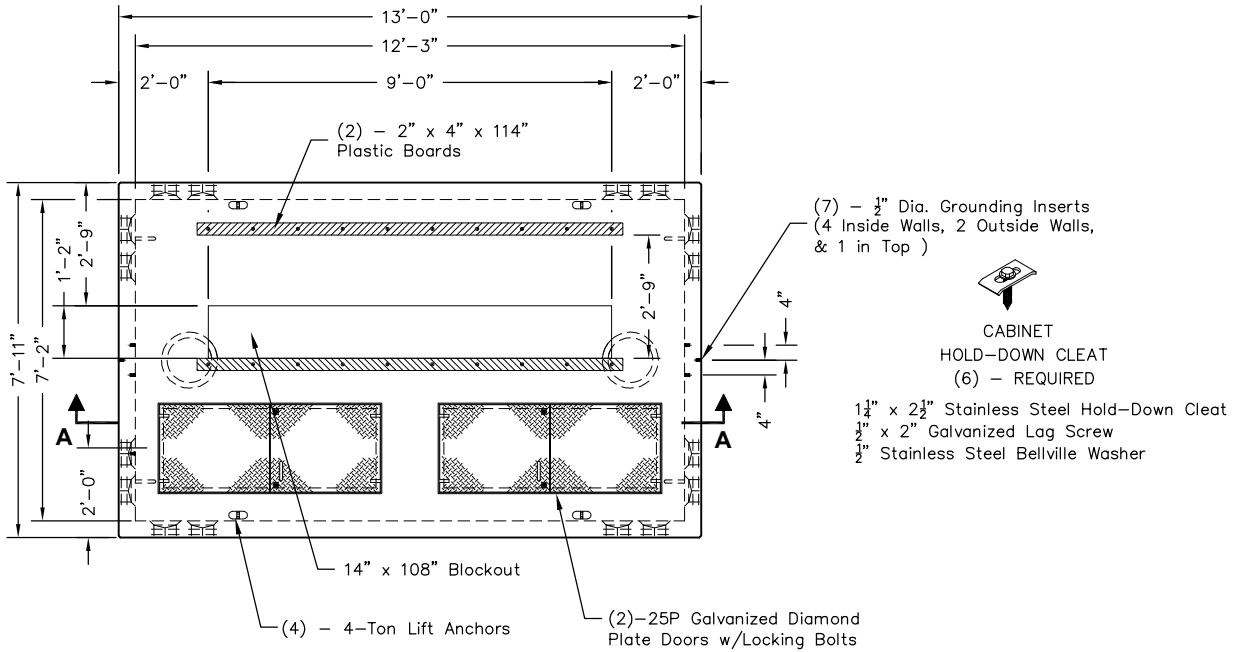
Scale: 1/4" = 1'-0"

Non Skid Covers Available

FOR DETAILS, SEE REVERSE>>

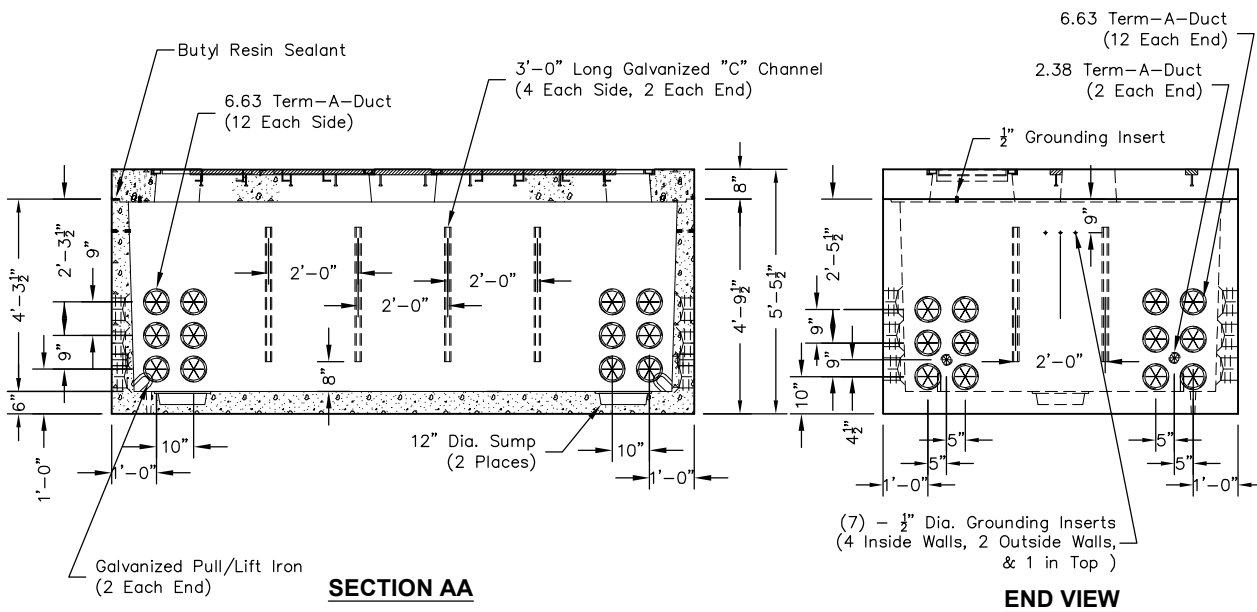
Items Shown Are Subject To Change Without Notice
Issue Date: April 2016

712-FUSE-PCORP



PLAN VIEW

No. 95/156-T-2-25P-14108
 (3-PHASE FUSING TOP)
 PCORP #7992881



Scale: 1/4" = 1'-0"