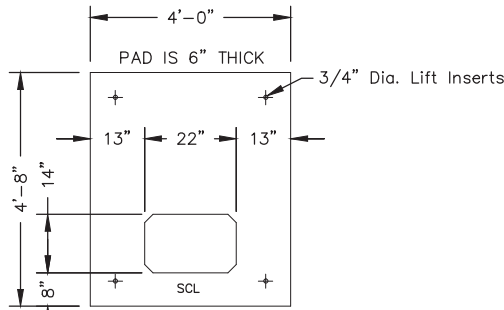
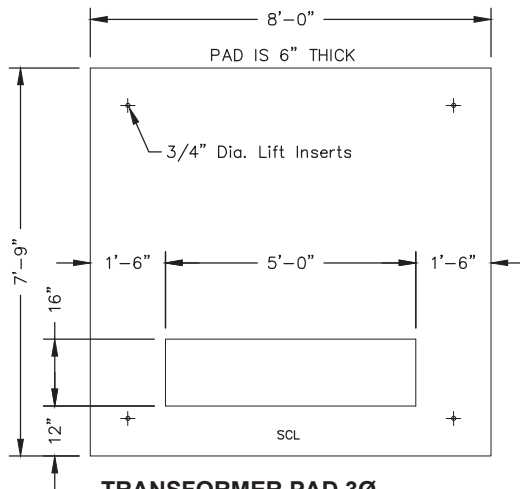


S.C.L. PADMOUNTS

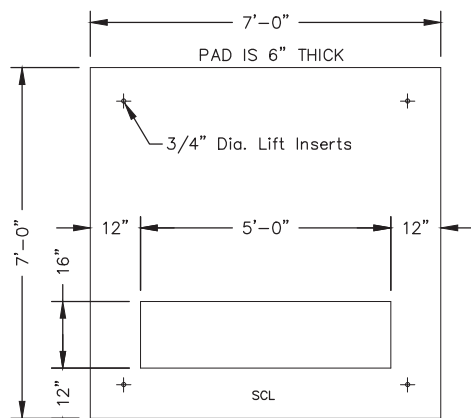
Padmounts Typically used by Seattle City Light



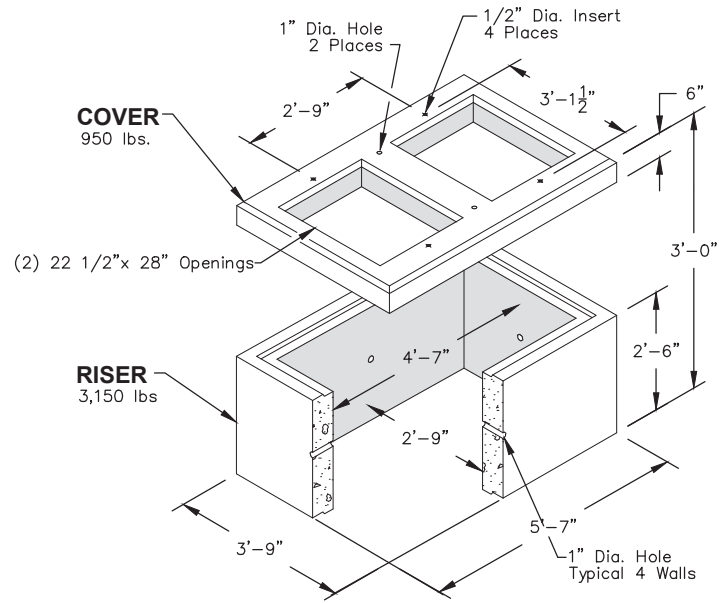
TRANSFORMER PAD 1Ø
25 KVA THRU 167 KVA U10-1.3
1,240 lbs



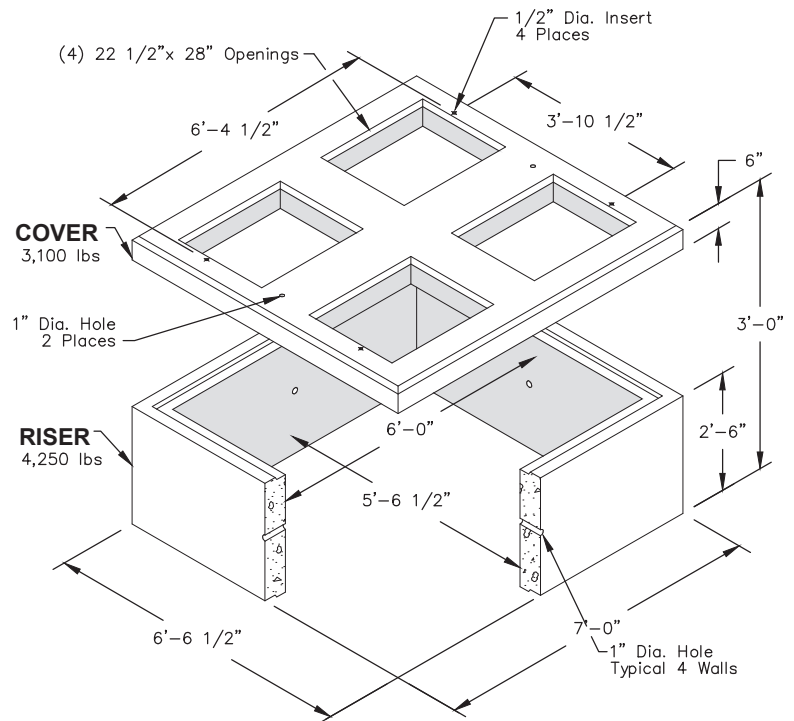
TRANSFORMER PAD 3Ø
No. 88-1660
500 KVA - 2500 KVA U10-1.6
4,200 lbs



TRANSFORMER PAD
No. 77-1660
150 KVA - 300 KVA U10-1.5
3,240 lbs



2 COMPARTMENT SWITCHGEAR PAD
No. U10-5.2
TOTAL WT. - 4,100 lbs



4 COMPARTMENT SWITCHGEAR PAD
No. U10-5.2
TOTAL WT. - 7,350 lbs

Items Shown Are Subject To Change Without Notice
Issue Date: April 2016