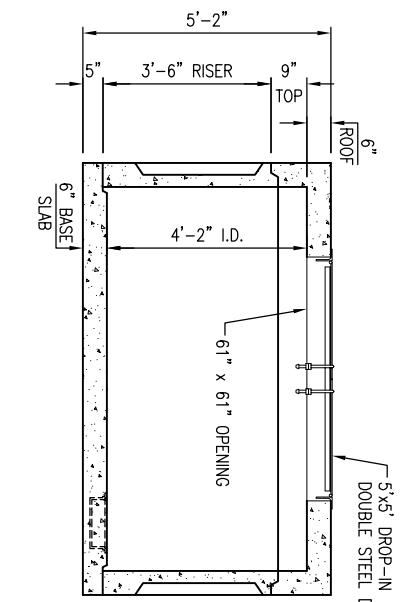
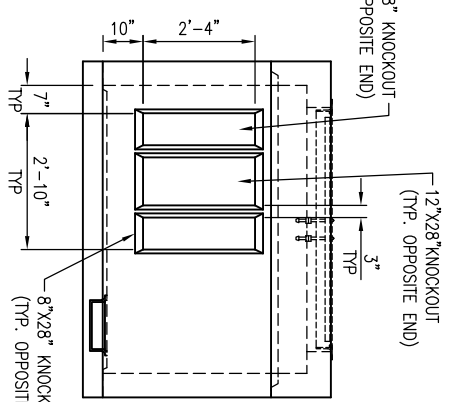


PLAN VIEW
SCALE: 1/4" = 1'-0"



SECTION A-A
SCALE: 1/4" = 1'-0"



VIEW B
SCALE: 1/4" = 1'-0"

- INFORMATION NEEDED:**
1. TOP OF SEPARATOR ELEVATION _____
 2. INLET PIPE SIZE _____
 3. INLET PIPE ELEVATION _____
 4. OUTLET PIPE SIZE _____
 5. OUTLET PIPE ELEVATION _____

REVISIONS

REV	DATE	BY	SHEET	DESCRIPTION OF REVISION	REQUESTED BY
A					
B					
C					
D					

GENERAL DESIGN NOTES:

1. STRENGTH DESIGN METHOD I.A.W. ACI 318
2. APPLICABLE DESIGN CODES:
 - ACI 318 (MAIN DESIGN SPECIFICATION)
 - ASTM C913 (PRODUCT SPECIFICATION)
3. PRECAST RATED FOR HS20 LIVE LOAD W/ IMPACT I.A.W. AASHTO SPECIFICATION
4. DESIGN FILL RANGE = 0'(MIN) TO 2'(MAX)
5. GROUND WATER TABLE ASSUMED AT 5' BELOW GRADE. IF DESIGN (OR ACTUAL) WATER TABLE IS LESS THAN ASSUMED, REVIEWING ENGINEER TO NOTIFY OLDCASTLE PRECAST UPON REVIEW OF THIS SUBMITTAL.
6. LATERAL DESIGN PRESSURES:
 - EQUIV DRY SOIL FLUID PRESSURE = 47 PCF
 - EQUIV SATURATED SOIL FLUID PRESSURE = 80 PSF
 - LIVE LOAD SURCHARGE PRESSURE = 2'
7. CONCRETE COMPRESSIVE STRENGTH AT 28 DAYS = 5,000 PSI.
8. REINFORCEMENT: ASTM A615, GRADE 60.
9. JOINT SEALANT: BUTYL RUBBER, SS-0100210
10. THESE CALCULATIONS DO NOT INCLUDE ANY LATERAL OR SURCHARGE LOADS PRODUCED BY OTHER FOOTINGS OR FOUNDATIONS ADJACENT TO THIS STRUCTURE. THIS STRUCTURE SHALL BE KEPT A MINIMUM OF 1:1 RATIO AWAY FROM OTHER FOOTINGS OR FOUNDATIONS.

NOTE TO REVIEWING ENGINEER:

1. SUPPLY AND INSTALL ALL PIPING AND SAMPLING TEES.
2. DESIGN, AS SHOWN HEREIN, IS APPLICABLE ONLY TO STRUCTURAL PERFORMANCE OF PRECAST. CAPACITY (GALLONS) SHALL BE DETERMINED BY OTHERS BASED ON SPECIFIC PROJECT REQUIREMENT

NOTE TO CONTRACTOR:

1. SUPPLY AND INSTALL ALL PIPING AND SAMPLING TEES.
2. GROUT IN ALL PIPES AND WELDS.
3. FILL WITH CLEAN WATER PRIOR TO "START UP" OF SYSTEM.
4. VERIFY SIZE AND LOCATION OF ALL OPENINGS.

APPROX. WEIGHTS		
SECTION	WEIGHT (lb)	CONCRETE(CY)
SLAB FLOOR	4,800	1.19
42" RISER	7,900	1.95
9" TOP	5,400	1.33



THIS DOCUMENT IS THE PROPERTY OF OLDCASTLE PRECAST, INC. IT IS CONFIDENTIAL. SUBMITTED FOR REFERENCE PURPOSES ONLY, AND SHALL NOT BE USED IN ANY WAY UNLESS TO THE INTERESTS OF OR WITHOUT THE WRITTEN PERMISSION OF OLDCASTLE PRECAST, INC. COPYRIGHT © 2017 OLDCASTLE PRECAST, INC. ALL RIGHTS RESERVED.

6'-0" x 8'-0" x 4'-2" METER VAULT
SUBMITTAL LAYOUT

****THIS MUST BE FILLED OUT BEFORE MANUFACTURING BEGINS****

APPROVED W/ NO EXCEPTIONS TAKEN:

APPROVED AS NOTED:

REVISED AND RESUBMIT:

SIGNATURE: _____ DATE: _____

CUSTOMER			
DATE	SALES	DRAWN	ENGINEER
12/29/17			
	DRAWING NUMBER	REVISION	CHECKED
	6064, 17 Meter Vault		SALES ORDER
		REV DATE	SHEET
			1 OF 1