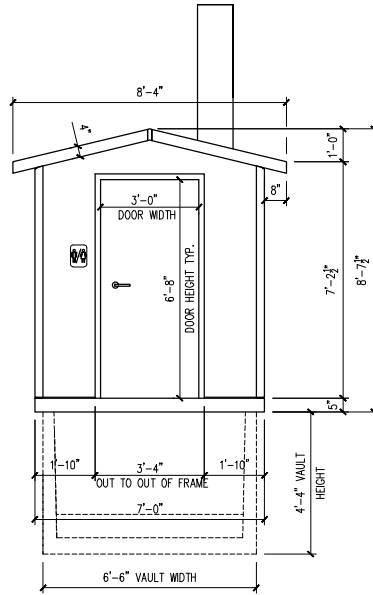
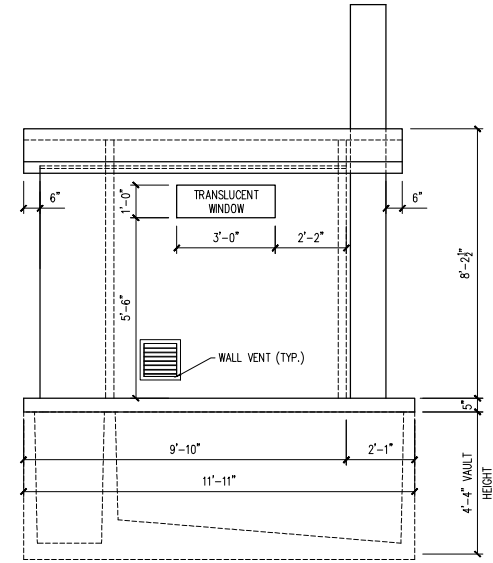


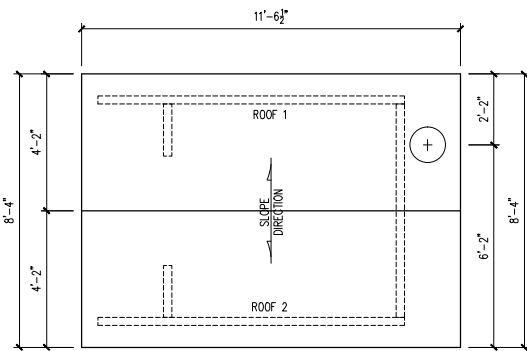
1 FLOOR PLAN
E-02



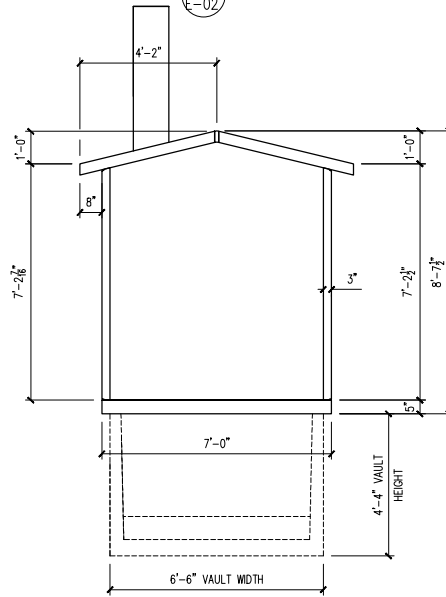
A FRONT ELEVATION
E-02



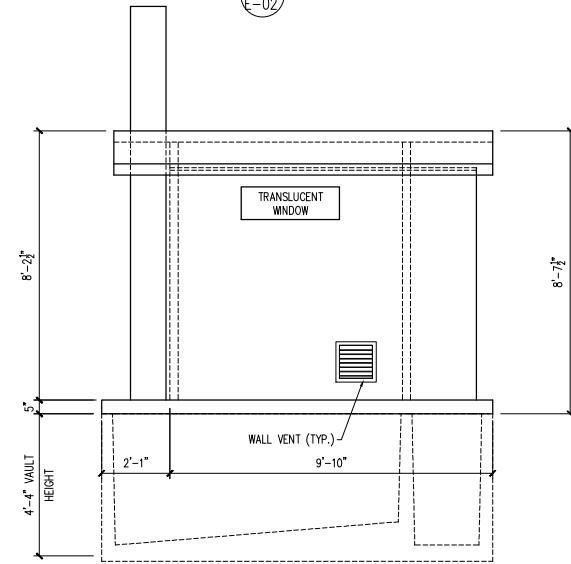
B RIGHT ELEVATION
E-02



2 ROOF PLAN
E-02



C REAR ELEVATION
E-02



D LEFT ELEVATION
E-02

NOTE: FINISH OPTIONAL, VARIOUS FINISHES ARE AVAILABLE

- EASI-BRICK
- BARNBOARD
- BROOM
- OTHER: _____

- GENERAL NOTES:
- ALL REQUIRED OPENINGS FOR ELECTRIC, MECHANICAL, LOUVERS, ETC. MUST BE SIZED AND LOCATED BY BUYER ON THIS DRAWING (OPENING SIZES AND LOCATIONS MAY HAVE TO BE ALTERED IF THEY INTERFERE WITH CONNECTIONS OR REINFORCING)
 - ALL VIEWS ARE FROM EXTERIOR
 - A SIGNED COPY MUST BE RETURNED BEFORE BUILDING CAN BE RELEASED FOR PRODUCTION

MESSAGE CENTER	
BUILDING FINISH WALLS:	_____
BUILDING STAIN	ROOF: _____
DOOR COLOR	_____
BUILDING WEIGHT	_____
CUSTOMER APPROVAL	
APPROVED BY: _____	DATE: _____

EASI SET WORLDWIDE
 5119 Calllett Rd. • Midland, VA 22728 • info@EasiSet.com
 www.EasiSet.com • 800-547-4045 • Fax 540-439-2541

DATE	DESCRIPTION	REV.

PROJECT: 7'-0" x 11'-11" x 8'-7 1/2"
 EASI-SET LOGAN VAULT RESTROOM
 CONTRACTOR: -

BUILDING LAYOUT
 JOB # _____
 DRAWN BY PPS
 CHECK BY RCP
 ISSUE DATE 05.07.15
 SHEET LAYOUT