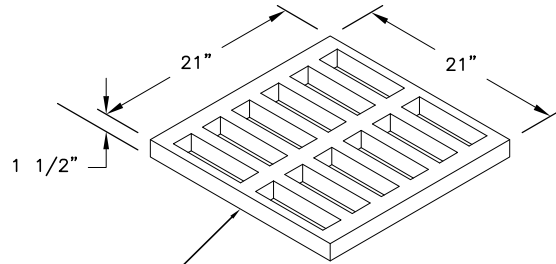


### Heavy Duty Grate :

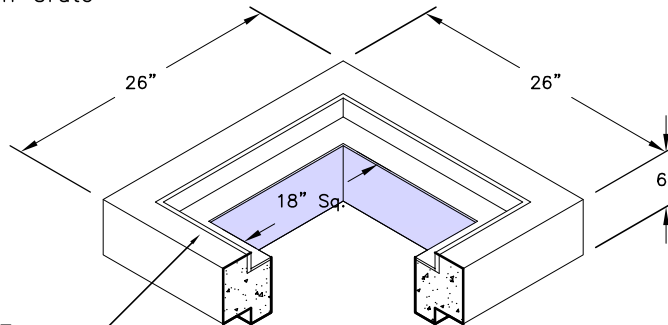
Weight : 94 Lbs.  
Open Area 205 Sq. Inches



Cast Iron Grate

### 6" Riser W/ Frame

Weight : 165 Lbs.

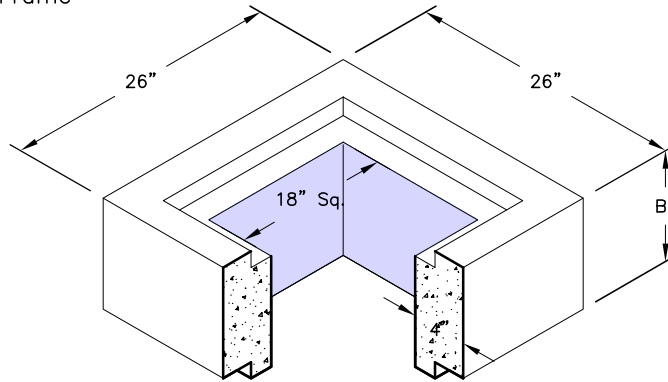


Cast in Frame

### Risers

Weight : See Chart

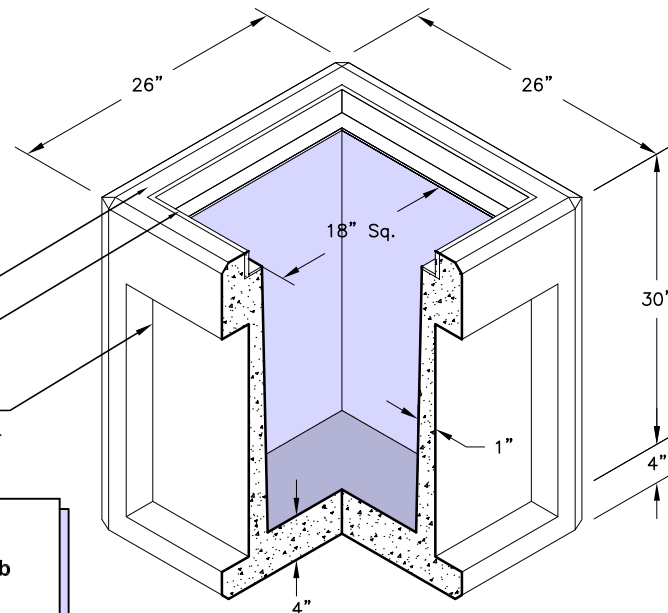
Extension	
B	Weight (Lbs.)
6"	160
12"	315



### Bottom :

Weight : See Chart

Bottom	
Wall(s)	Weight (Lbs.)
4-Way	607



1/2" Chamfer (TYP. 4  
Corners, Top & Bottom)

Cast in Frame (Optional)

18" Wide x 29 1/2" Tall x 3"  
Deep Thin-wall Knockouts  
Typical on all Four Walls For  
12' RCP and Smaller.

### GENERAL NOTES:

1. Bedding Shall be in Accordance With Job and Plan Specifications.