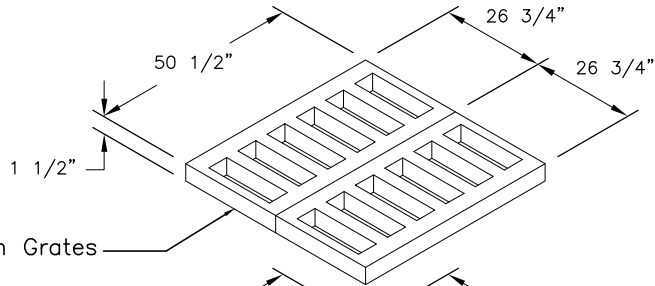


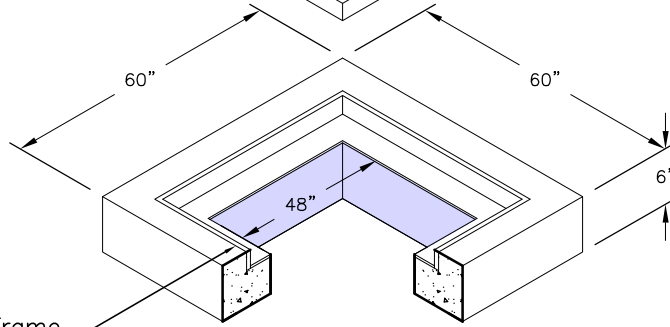
**Dual Heavy Duty Grate :**

 Weight : 800 Lbs.  
 Open Area 820 Sq. Inches


Cast Iron Grates

**6" Trans. Top W/ Frame**

Weight : 695 Lbs.

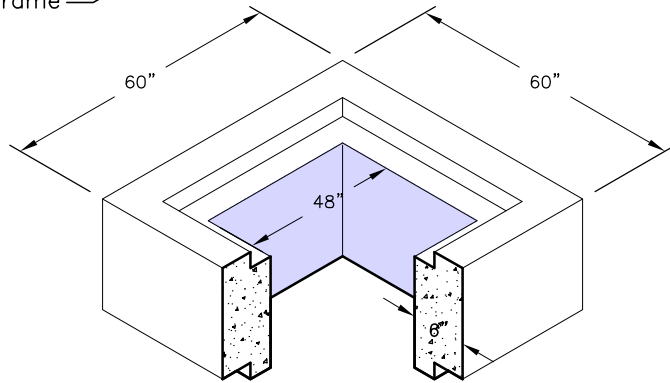


Cast in Frame

**Risers**

Weight : Varies

| Riser |               |
|-------|---------------|
| B     | Weight (Lbs.) |
| 6"    | 675           |
| 12"   | 1,350         |

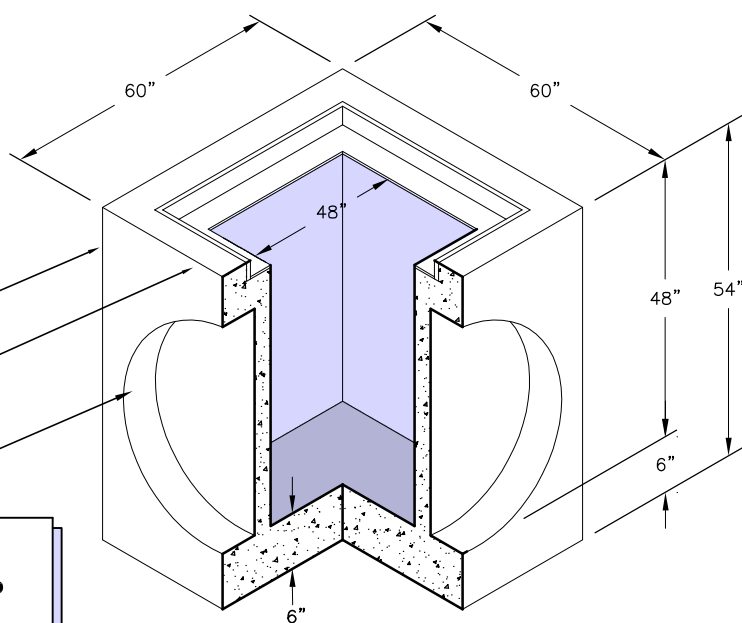

**Bottom :**

Weight : See Chart

| Bottom  |               |
|---------|---------------|
| Wall(s) | Weight (Lbs.) |
| 4-Way   | 4,764         |

 1" Chamfer (TYP. 4  
 Corners, Top & Bottom)

Cast in Frame Optional

 48" Diameter Thinwall Knockout  
 For 36" R.C.P. or Smaller  
 (Typical All four Walls)

**GENERAL NOTES:**

1. Bedding Shall be in Accordance With Job and Plan Specifications.