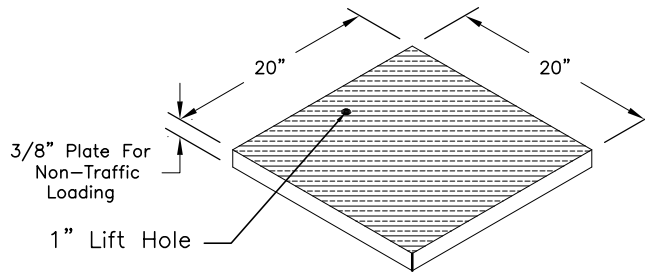


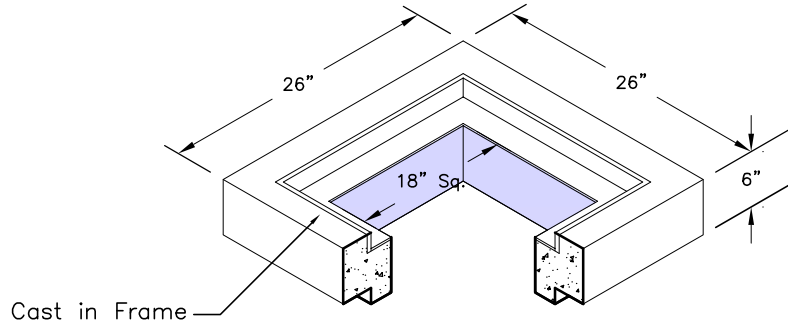
Galvanized Drag Off Lid

Traffic Rated Lids Also Available



6" Riser W/ Frame

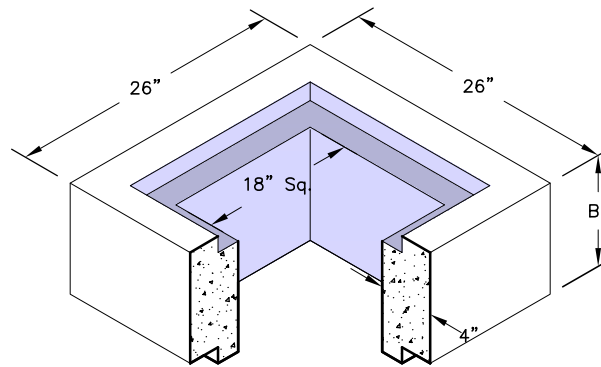
Weight : 165 Lbs.



Risers

Weight : See Chart

Extension	
B	Weight (Lbs.)
6"	160
12"	315



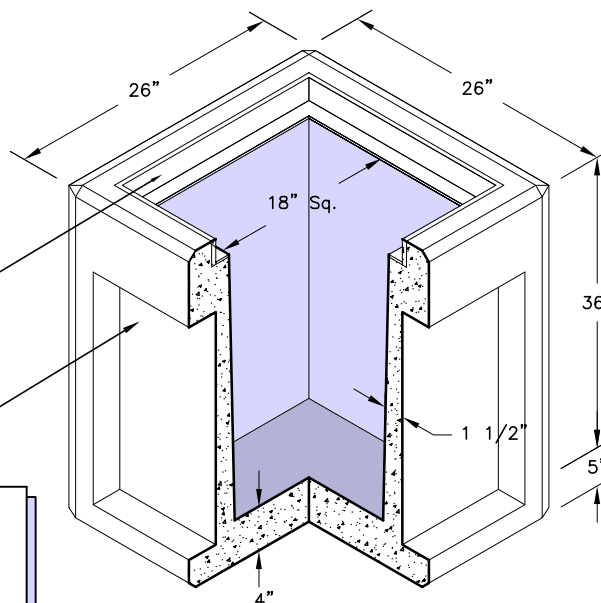
Bottom :

Weight : See Chart

Bottom	
Wall(s)	Weight (Lbs.)
4-Way	607

Cast in Frame (Optional)

18" Wide x 29½" Tall x 3" Deep Thin-wall Knockouts Typical on all Four Walls For 12" RCP or Smaller.



GENERAL NOTES:

1. Bedding Shall be in Accordance With Job and Plan Specifications.