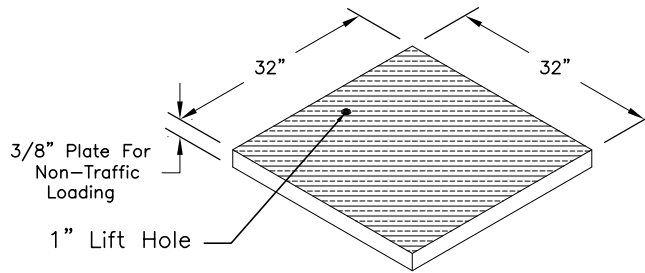


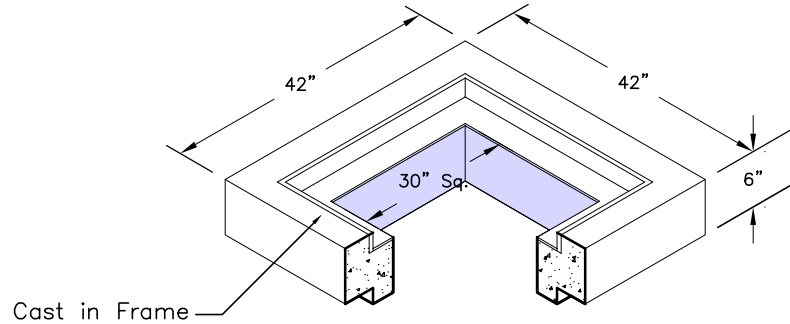
### Galvanized Drag Off Lid

Traffic Rated Lids Also Available



### 6" Riser W/ Frame

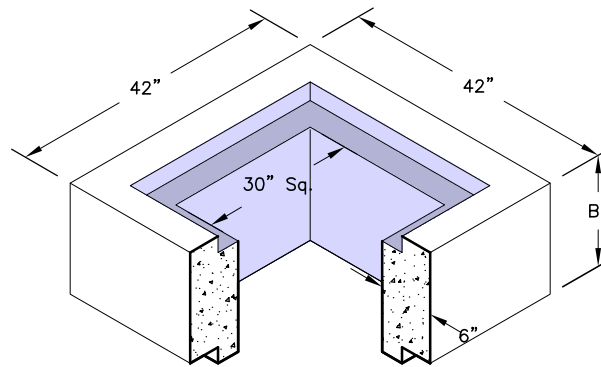
Weight : 435 Lbs.



### Risers

Weight : See Chart

Extension	
B	Weight (Lbs.)
6"	420
12"	850



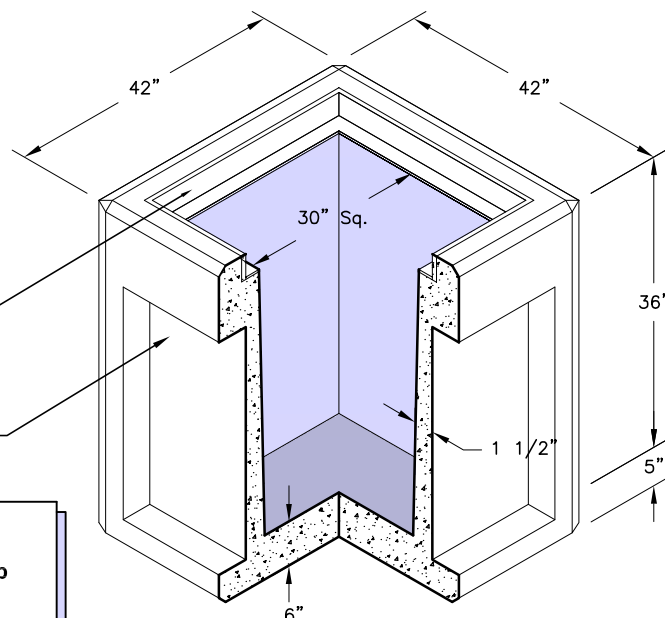
### Bottom :

Weight : See Chart

Bottom	
Wall(s)	Weight (Lbs.)
4-Way	1,903

Cast in Frame (Optional)

30" Wide x 36" Tall x 4 1/2" Deep Thin-wall Knockouts  
Typical on all Four Walls  
For 24" RCP or Smaller.



### GENERAL NOTES:

1. Bedding Shall be in Accordance With Job and Plan Specifications.