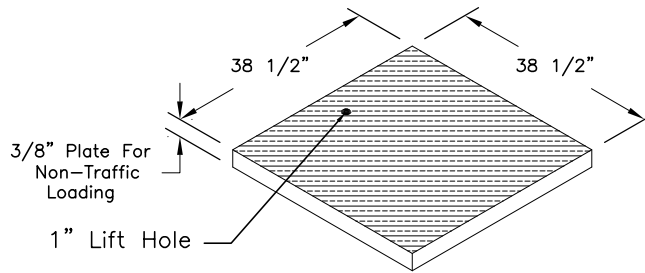


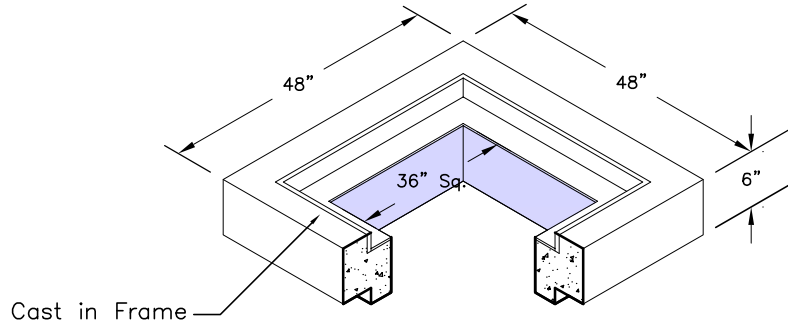
### Galvanized Drag Off Lid

Traffic Rated Lids Also Available



### 6" Riser W/ Frame

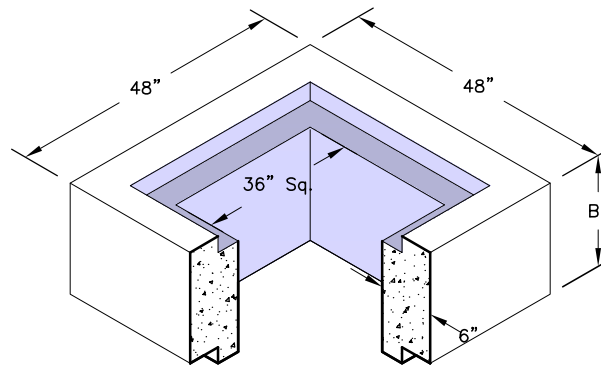
Weight : 510 Lbs.



### Risers

Weight : See Chart

Extension	
B	Weight (Lbs.)
6"	495
12"	1000



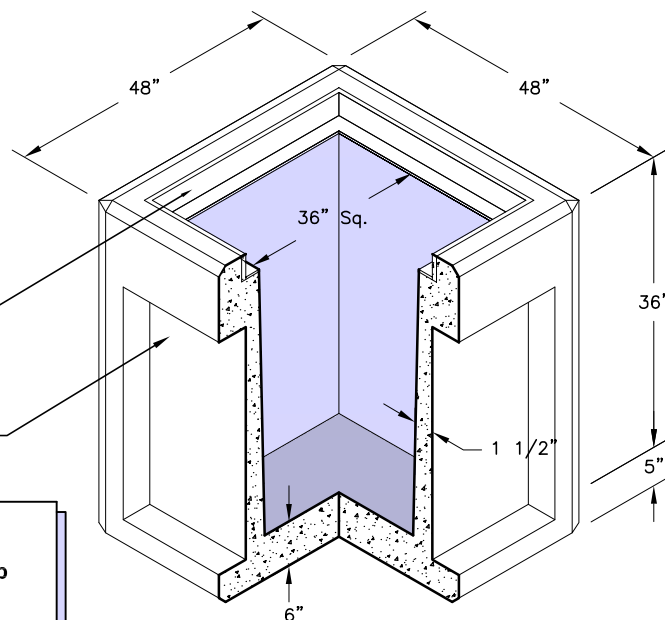
### Bottom :

Weight : See Chart

Bottom	
Wall(s)	Weight (Lbs.)
4-Way	2,550

Cast in Frame (Optional)

36" Wide x 36" Tall x 4" Deep Thin-wall Knockouts Typical on all Four Walls For 24" RCP or Smaller.



### GENERAL NOTES:

1. Bedding Shall be in Accordance With Job and Plan Specifications.