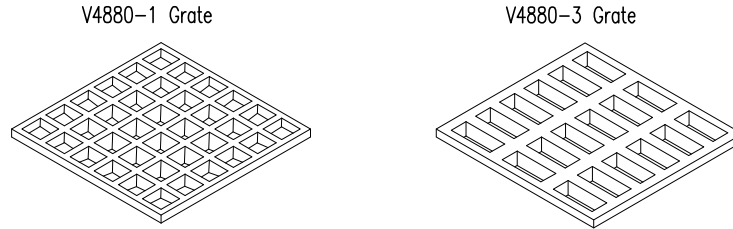
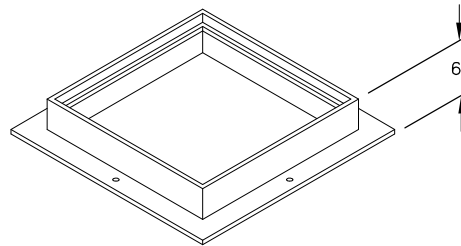


Grate :

V4880 Series or Equal
 Weight : 200 Lbs.
 V4880-1: Open Area 489 Sq. Inches
 V4880-3: Open Area 444 Sq. Inches

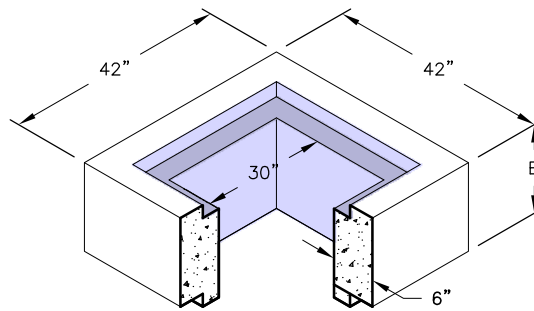

Frame :

V4880 Series or Equal
 Weight : 229 Lbs.


Variable Riser

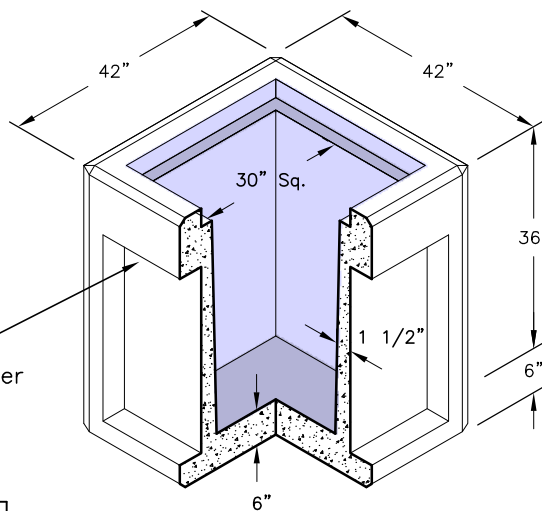
Weight : See chart.

Riser	
B	Weight (Lbs.)
6"	420
12"	850
24"	1,700
36"	2,550
48"	3,400


Bottom :

Weight : See Chart

Bottom	
Wall(s)	Weight (Lbs.)
4-Way	2,350



Thinwall Knockout
 for 24" RCP and Smaller
 (Typical All Four Walls)

GENERAL NOTES:

1. Bedding Shall be in Accordance With Job and Plan Specifications.