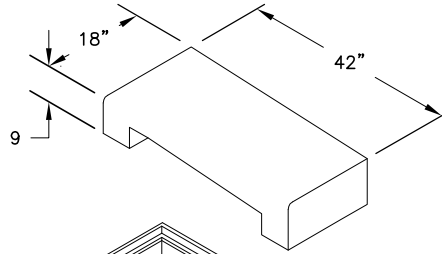
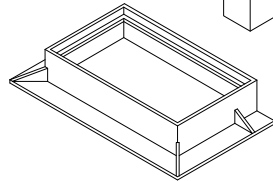
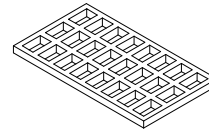


Top

Weight : 620 Lbs.

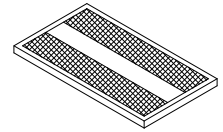

Cast Iron Frame

*Note: Grate or Plate Available on Request.


Optional


Grate

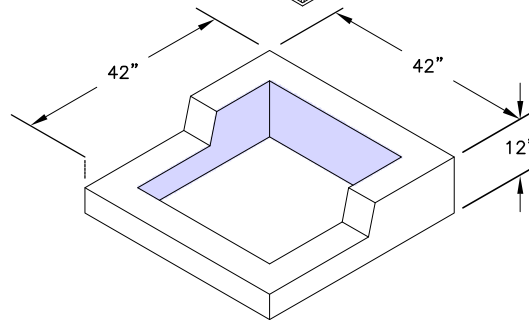
or



Plate

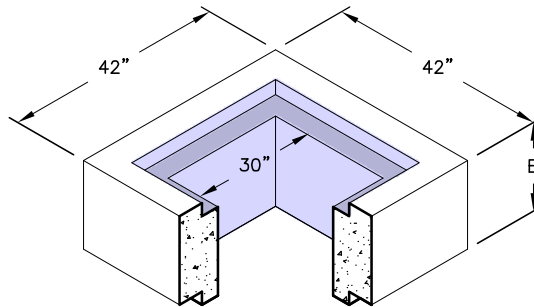
12" Mid - Section

Weight : 565 Lbs.


Variable Riser

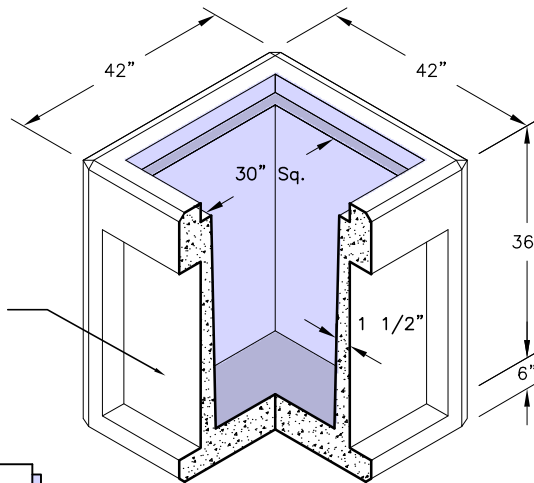
Weight : See chart.

Riser	
B	Weight (Lbs.)
6"	450
12"	900


Bottom :

Weight : See Chart

Bottom	
Wall(s)	Weight (Lbs.)
4-Way	2,350


 Thinwall Knockout
 for 24" RCP and Smaller
 (Typical All Four Walls)

GENERAL NOTES:

1. Bedding Shall be in Accordance With Job and Plan Specifications.