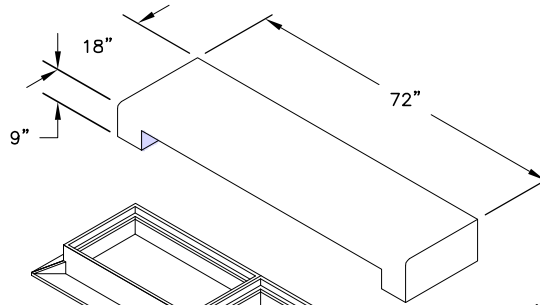
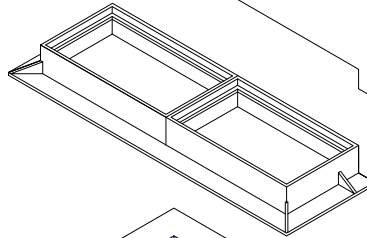


Top

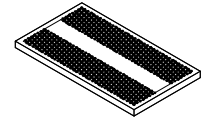
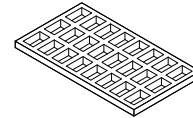
Weight : 946 Lbs.


Cast Iron Frame

*Note: Grate or Plate Available on Request.



Optional



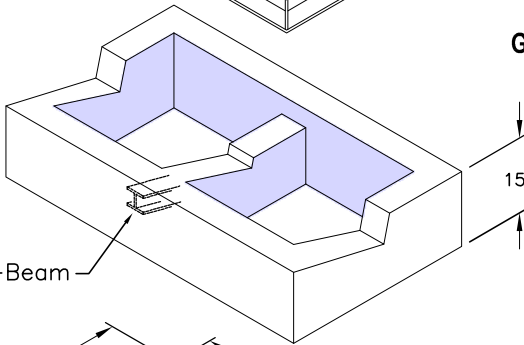
Grate

or

Plate

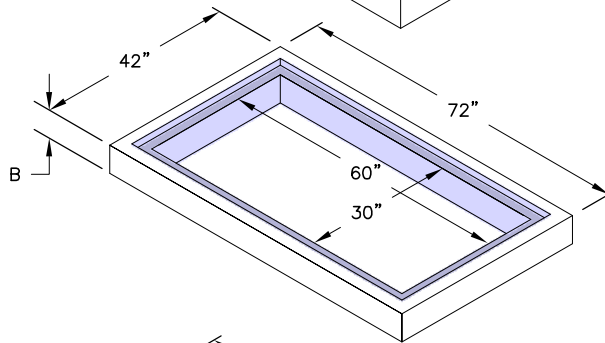
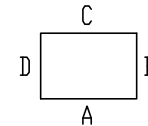
15" Mid - Section

Weight : 1,175 Lbs.


Variable Riser

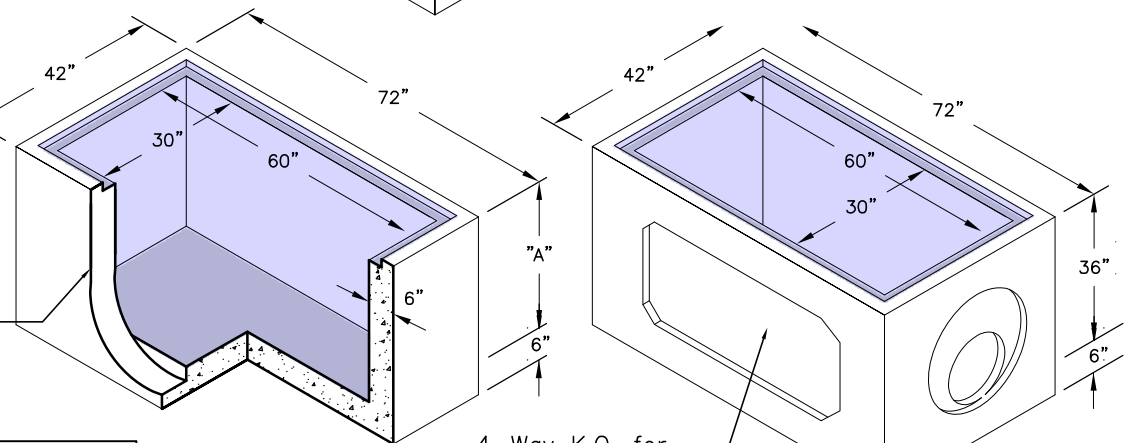
Weight : See Chart

Riser	
B	Weight (Lbs.)
6"	648
12"	1,275


Typical Orientation

Bottom :

Weight : See Chart

Bottom		
A	Weight (Lbs.)	Wall(s)
26"	4,021	A
32"	4,421	A
36"	4,082	4-Way

 32" Height for 24" R.C.P.
 26" Height for 18" R.C.P.
 (Typical Any Wall)

 4-Way K.O. for
 24" RCP & Smaller
 (Typical All Four Walls)

GENERAL NOTES:

1. Bedding Shall be in Accordance With Job and Plan Specifications.