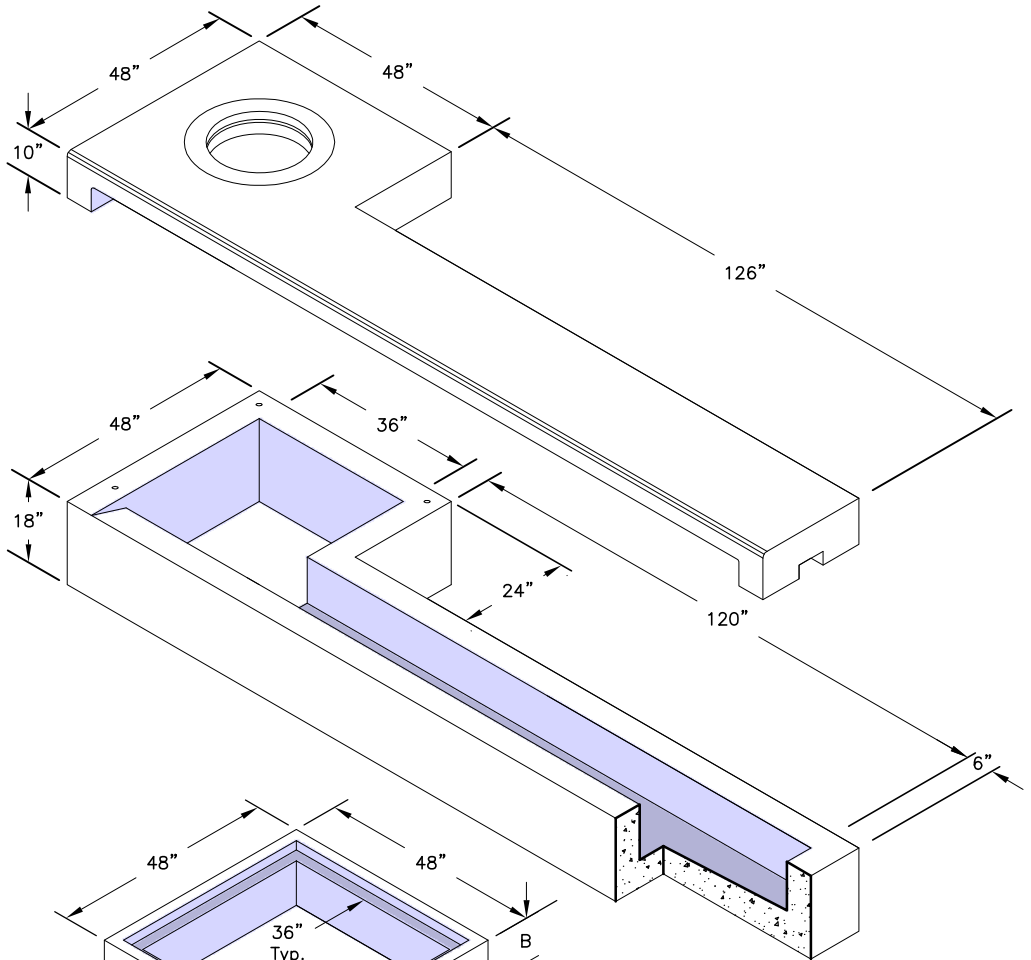


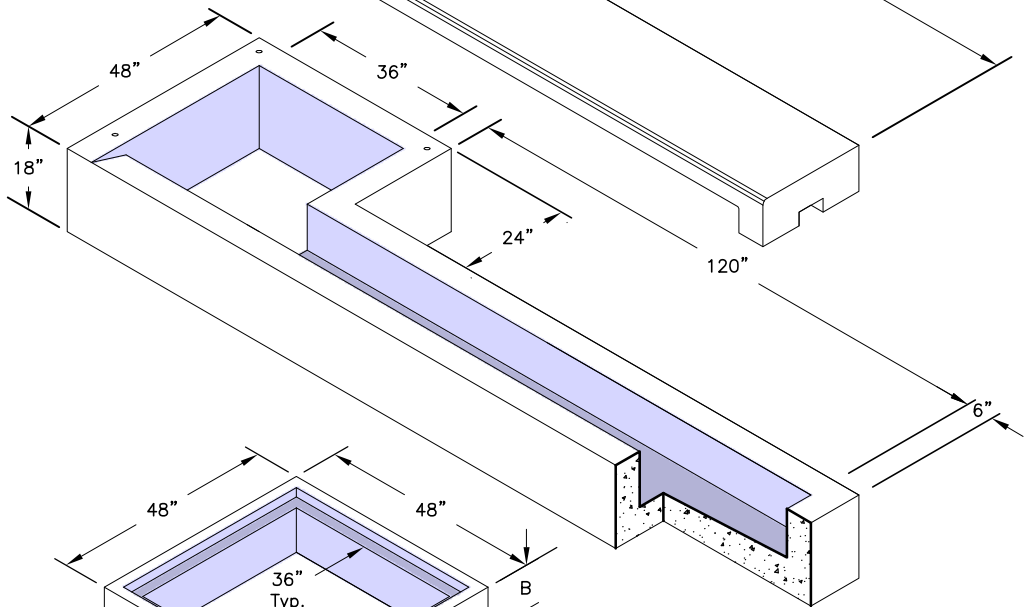
Ring & Cover
 per Specs

Top :

Weight : 5,380 Lbs.

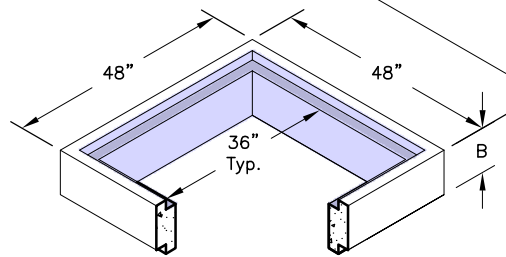
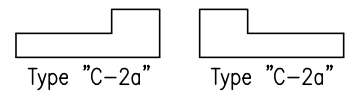

18" Mid-Section

Weight : 6,197 Lbs.


Variable Riser

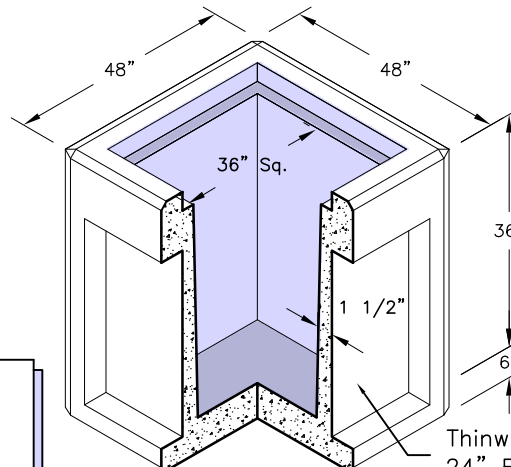
Weight : See chart.

Riser	
B	Weight (Lbs.)
6"	495
12"	1,000


Extension Options

Bottom :

Weight : See Chart

Bottom	
Wall(s)	Weight (Lbs.)
4-Way	3,220


 Thinwall Knockout For
 24" R.C.P. or Smaller
 (Typical All Four Walls)

GENERAL NOTES:

1. Bedding Shall be in Accordance With Job and Plan Specifications.