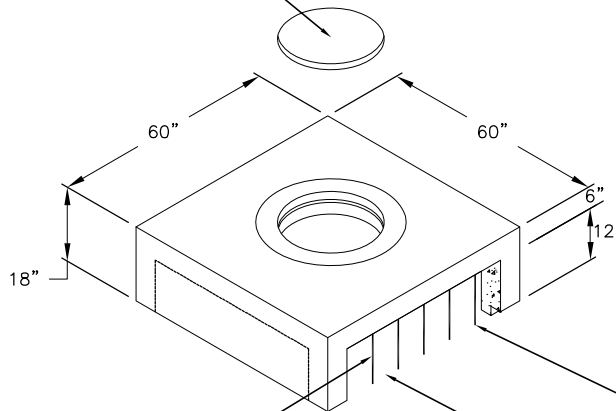
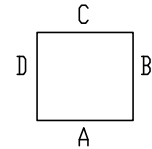


Type "E" Top

 Weight : Depends on Configuration
 Max Weight Approx 2,285 lbs.

 24" or 32" Ring &
 Cover Cast-In

Typical Orientation

 Opening is Optional
 on All Four Sides.

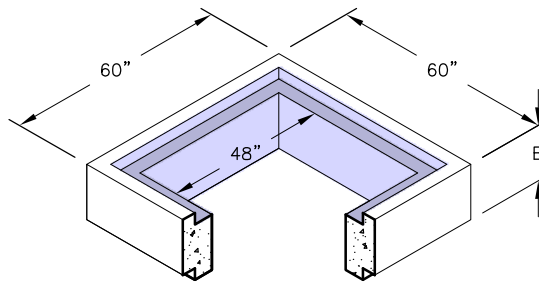
Vertical Rebar Grate Kit.

 Opening is Optional
 on All Four Sides.

Variable Riser

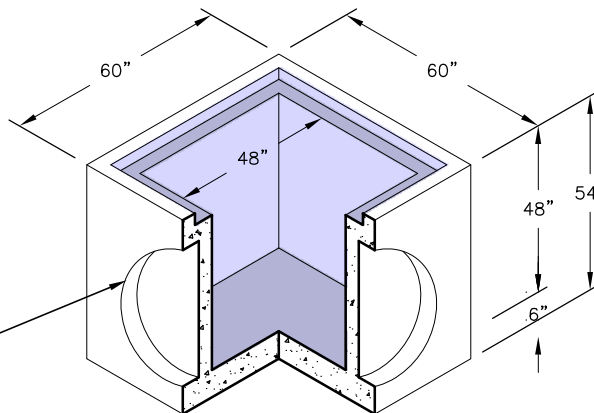
Weight : See chart.

Riser	
B	Weight (Lbs.)
6"	675
12"	1,350


Bottom :

Weight : See Chart

Bottom	
Wall(s)	Weight (Lbs.)
4-Way	4,786


 48" Diameter Thinwall
 Knockout For 36" R.C.P.
 or Smaller (Typical All Four Walls)

GENERAL NOTES:

1. Bedding Shall be in Accordance With Job and Plan Specifications.