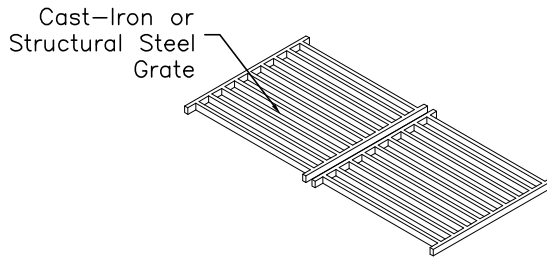


**Grate :**

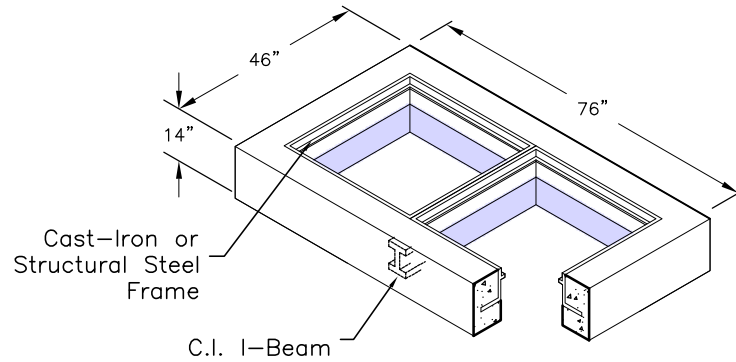
C.I. V4880-2 (Boltdown or Regular),  
or Structural Steel


**Frame :**

C.I. V4881 (Boltdown or Regular),  
or Structural Steel

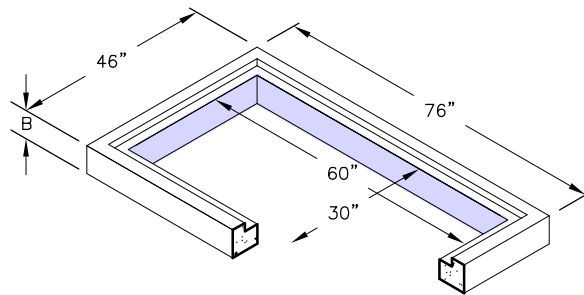
**Type "AAD" Top**

Weight : 2,800 Lbs.


**Variable Riser**

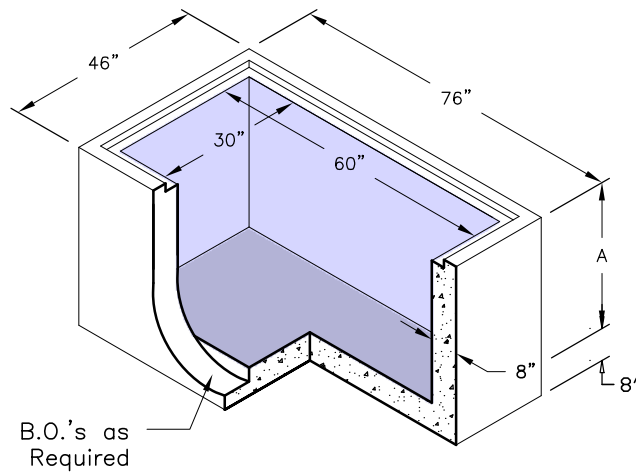
Weight : See Chart

Riser	
B	Weight (Lbs.)
6"	620
12"	1,250
24"	2,430
36"	3,630
48"	4,830


**Variable Bottom :**

Weight : See Chart

Riser	
A	Weight (Lbs.)
26"	5,552
32"	6,123
42"	7,975
48"	8,800
54"	9,625
60"	10,411


**GENERAL NOTES:**

1. Bedding Shall be in Accordance With TXDOT Plans and Specifications.