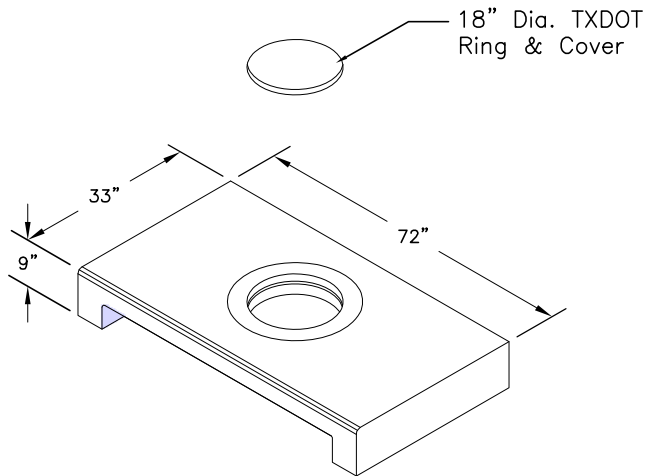
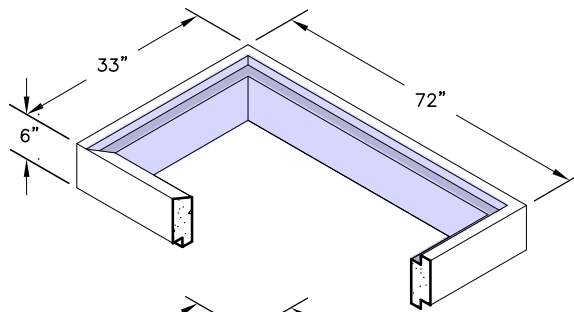


**Top :**

Weight : 1,450 lbs.

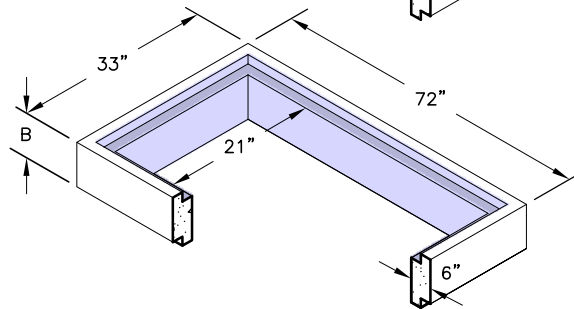

**Throat Riser :**

Weight : 581 lbs.


**Variable Riser**

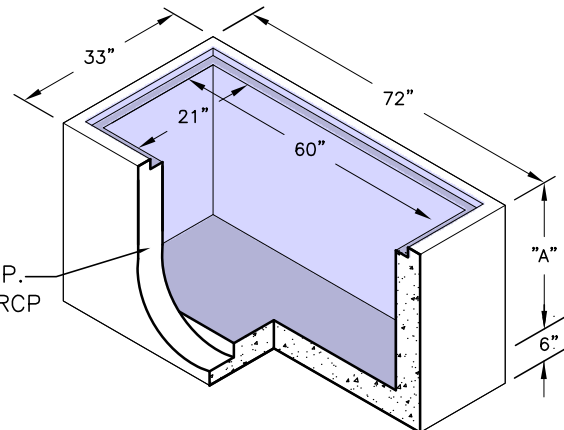
Weight : See Chart

Riser	
B	Weight (Lbs.)
6"	581
12"	1,163
24"	2,325
36"	3,488


**Bottom :**

Weight : See Chart

Bottom	
A	Weight (Lbs.)
26"	3,483
32"	3,929

 32" Height for 24" R.C.P.  
 or 26" Height for 18" RCP

**GENERAL NOTES:**

1. Bedding Shall be in Accordance With TXDOT Plans & Specifications.
2. C.I. Ring & Cover Conforms to TXDOT Item #471