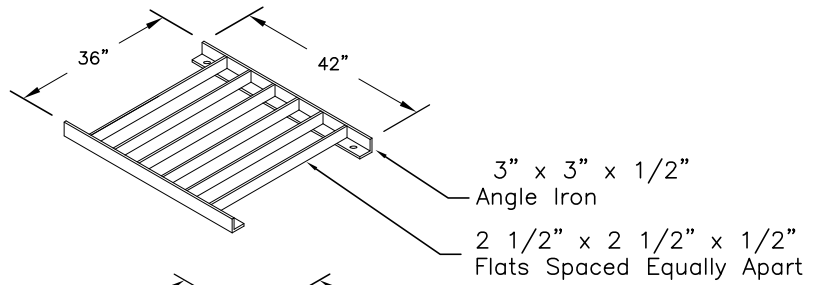
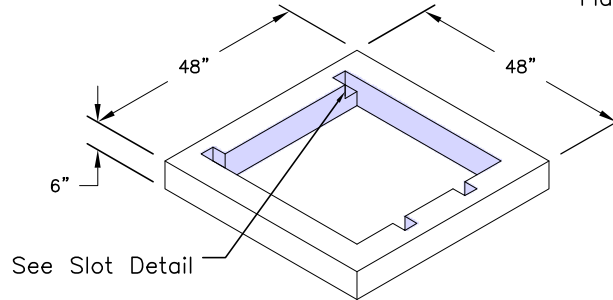


**Galvanized Steel Grate**

Weight : 225 Lbs.

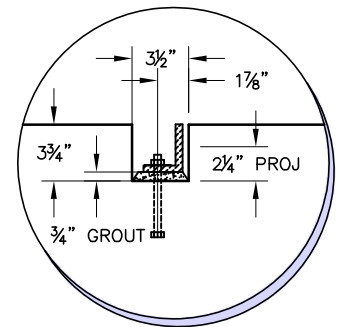
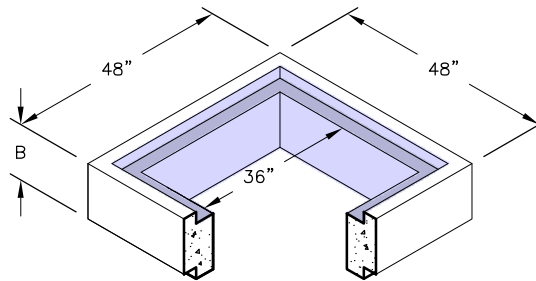

**Top**

Weight : 500 Lbs.

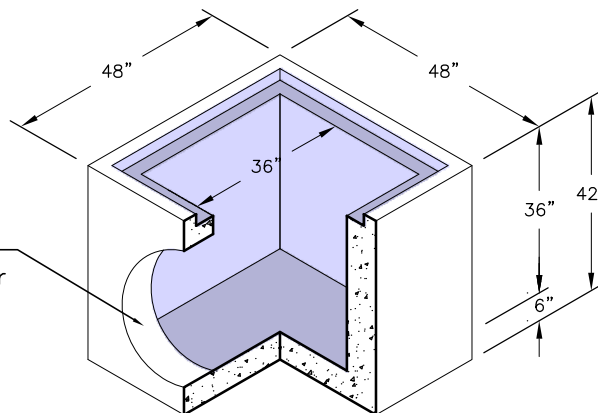

**Variable Riser**

Weight : See chart.

Riser	
B	Weight (Lbs.)
6"	485
12"	1,000


**Slot Detail**
**Bottom :**

Weight : Varies

 Hole Specific Knockouts  
 For 24" R.C.P. or Smaller

**GENERAL NOTES:**

1. Bedding Shall be in Accordance With Job and Plan Specifications.