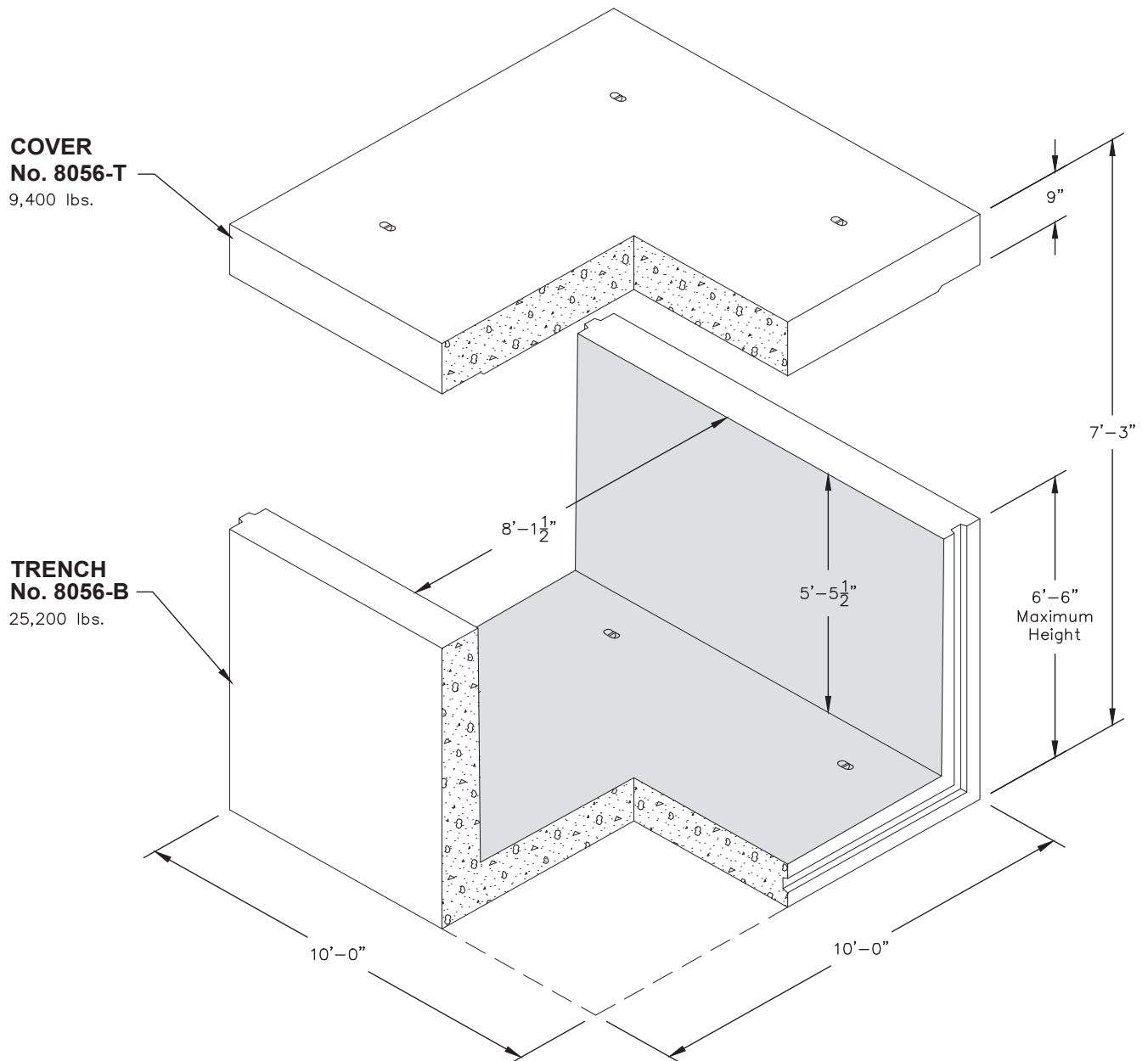


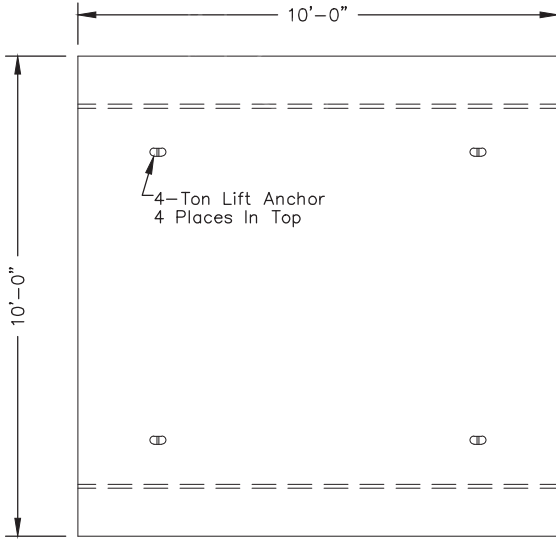
# 8056 TRENCH



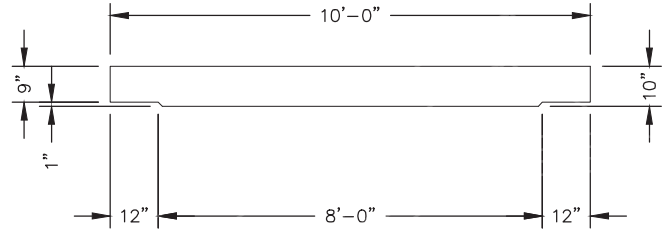
**FOR DETAILS, SEE REVERSE>>**

Items Shown Are Subject To Change Without Notice  
Issue Date: April 2016

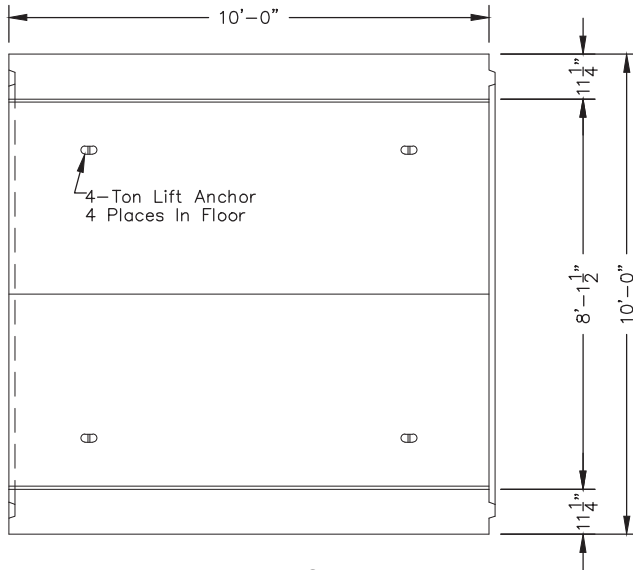
# 8056 TRENCH



**PLAN-COVER**



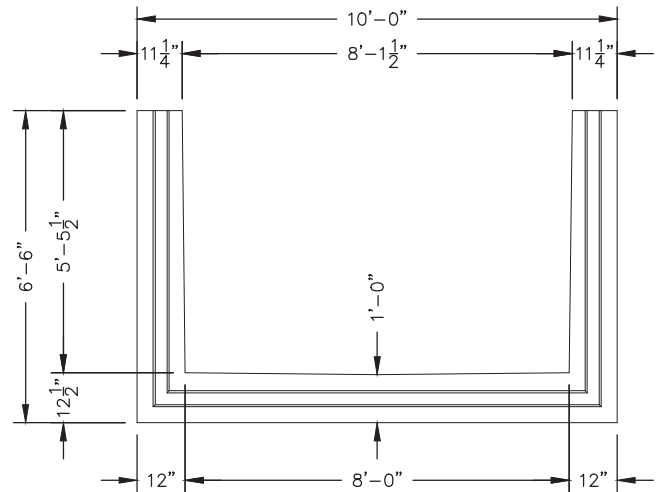
**END-COVER**



**PLAN-TRENCH**



**SIDE-TRENCH**



**END-TRENCH**

SCALE: 1/4" = 1'-0"