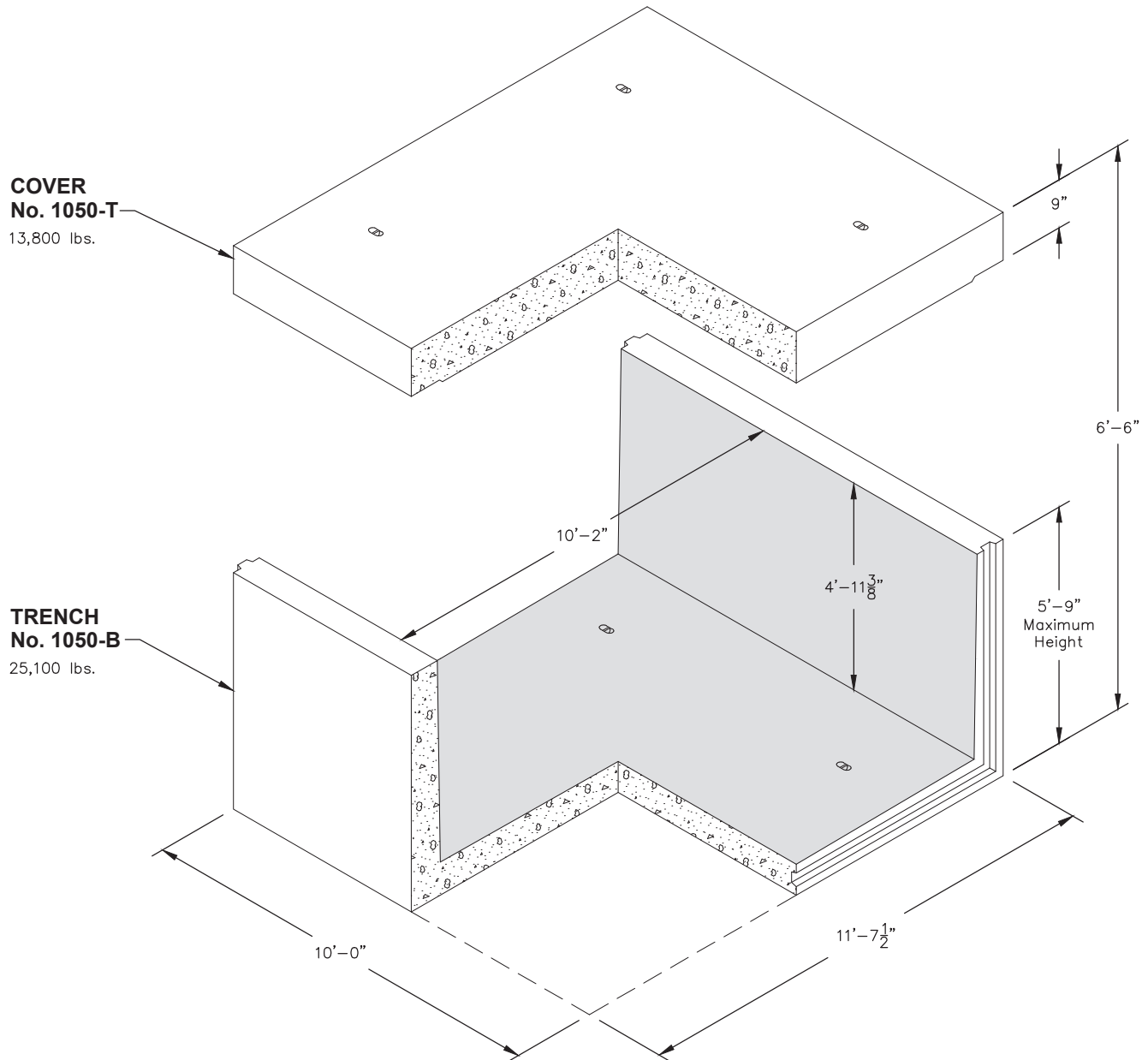


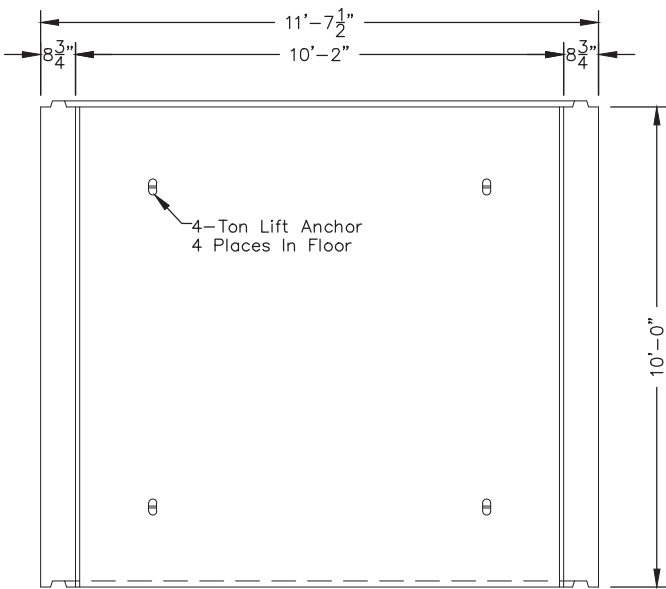
1050 TRENCH



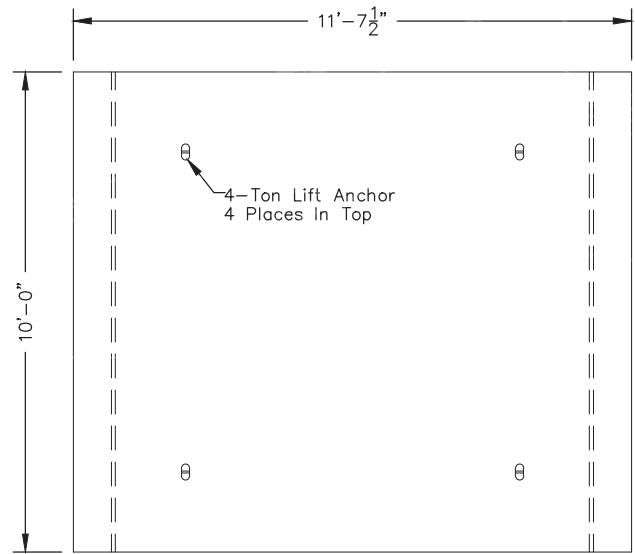
FOR DETAILS, SEE REVERSE>>

Items Shown Are Subject To Change Without Notice
Issue Date: April 2016

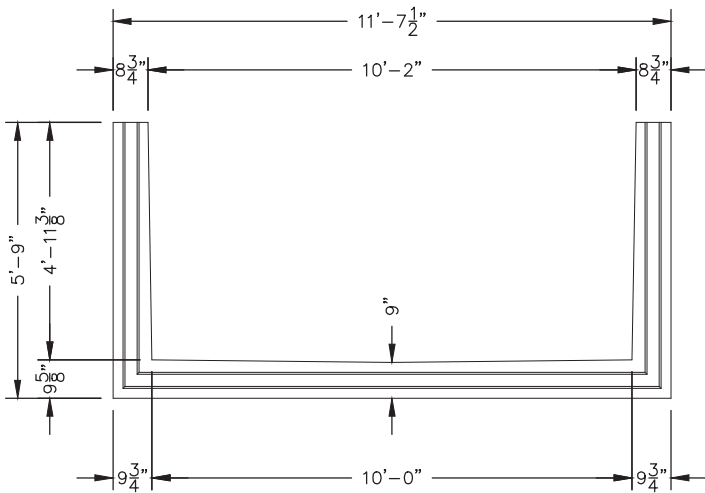
1050 TRENCH



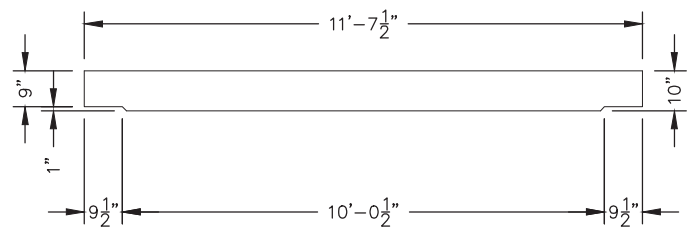
PLAN-TRENCH



PLAN-COVER



END-TRENCH



END-COVER

SCALE: 1/4" = 1'-0"