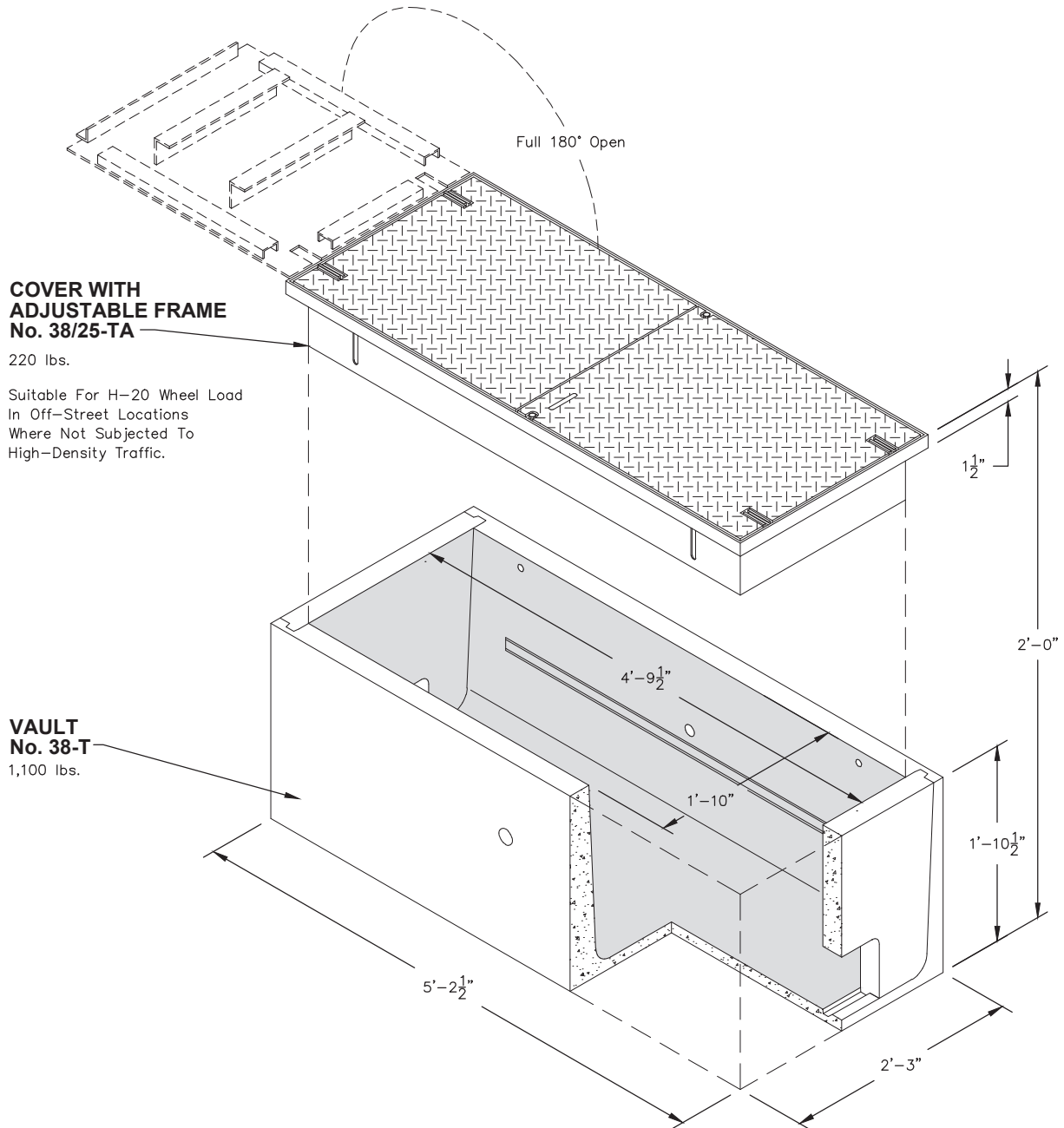


38-TA

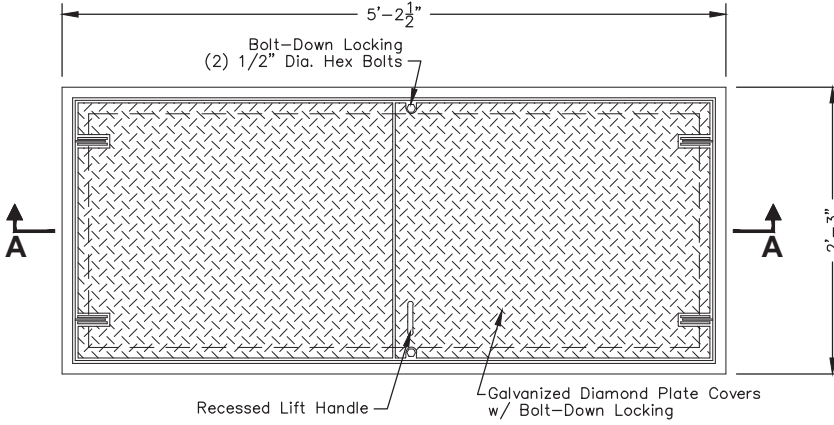


Non Skid Covers Available

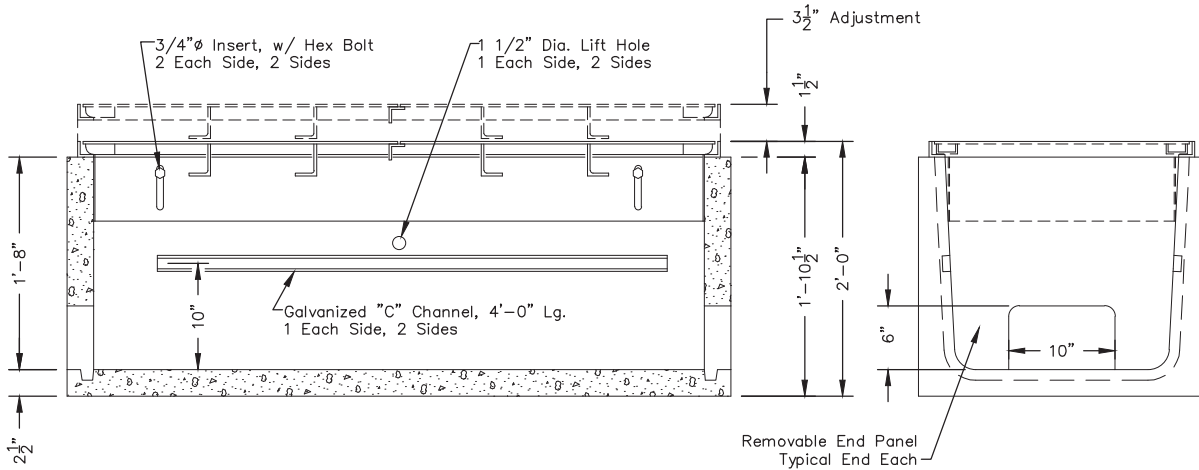
FOR DETAILS, SEE REVERSE>>

Items Shown Are Subject To Change Without Notice
Issue Date: April 2016

38-TA



PLAN VIEW



SECTION AA

END VIEW

SCALE: 3/4" = 1'-0"