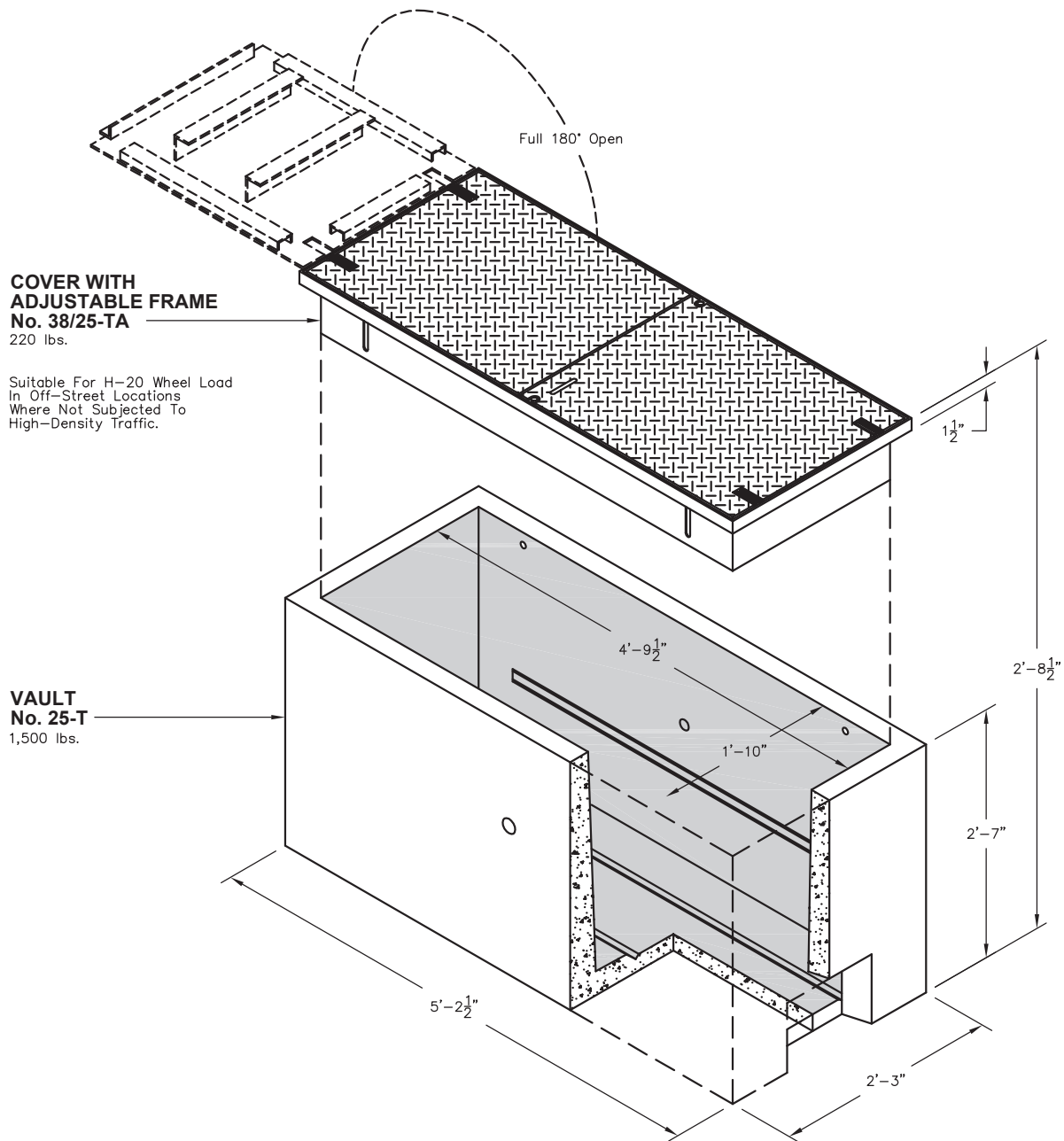


25-TA

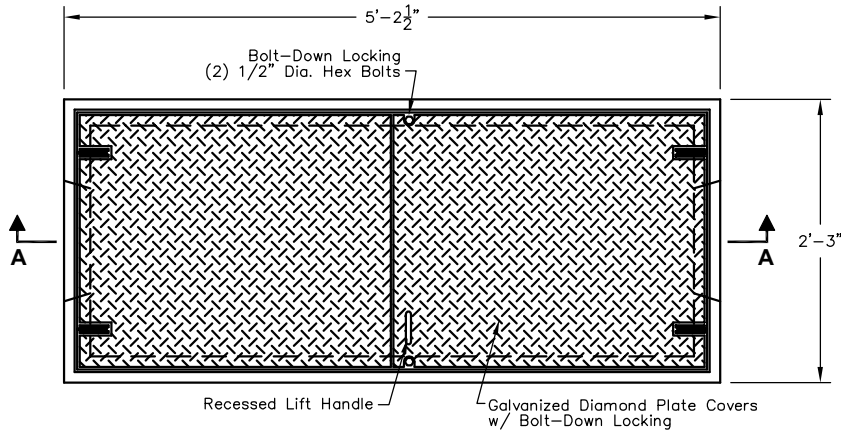


CENTURY LINK PID# 2378448

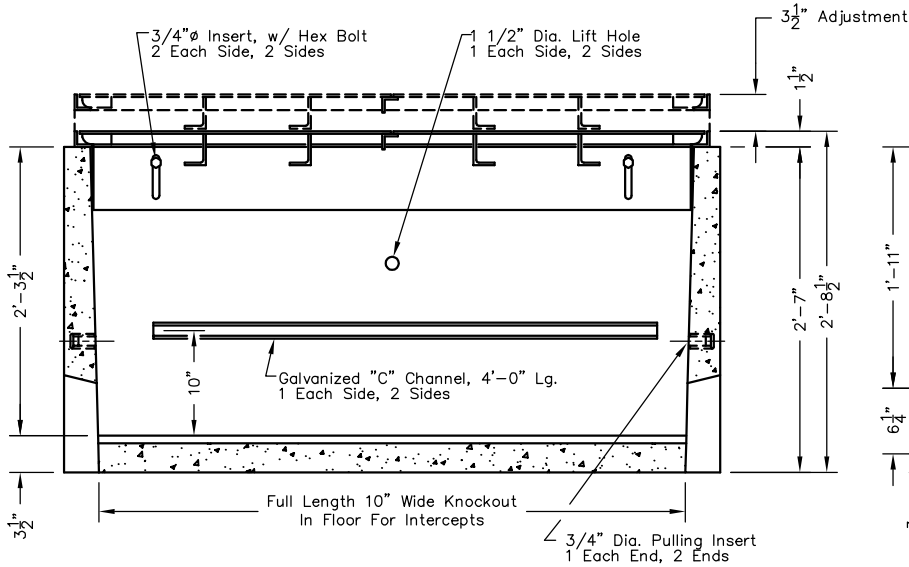
Non Skid Covers Available
FOR DETAILS, SEE REVERSE>>

Items Shown Are Subject To Change Without Notice
Issue Date: April 2016

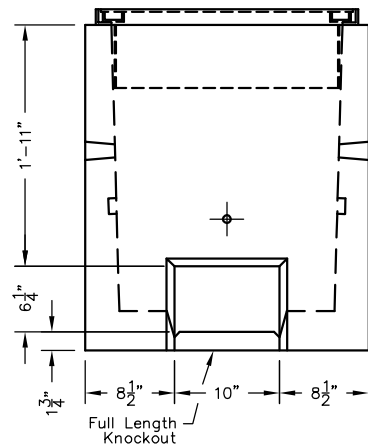
25-TA



PLAN VIEW



SECTION AA



END VIEW

CENTURY LINK PID# 2378448

SCALE: 3/4"=1'-0"