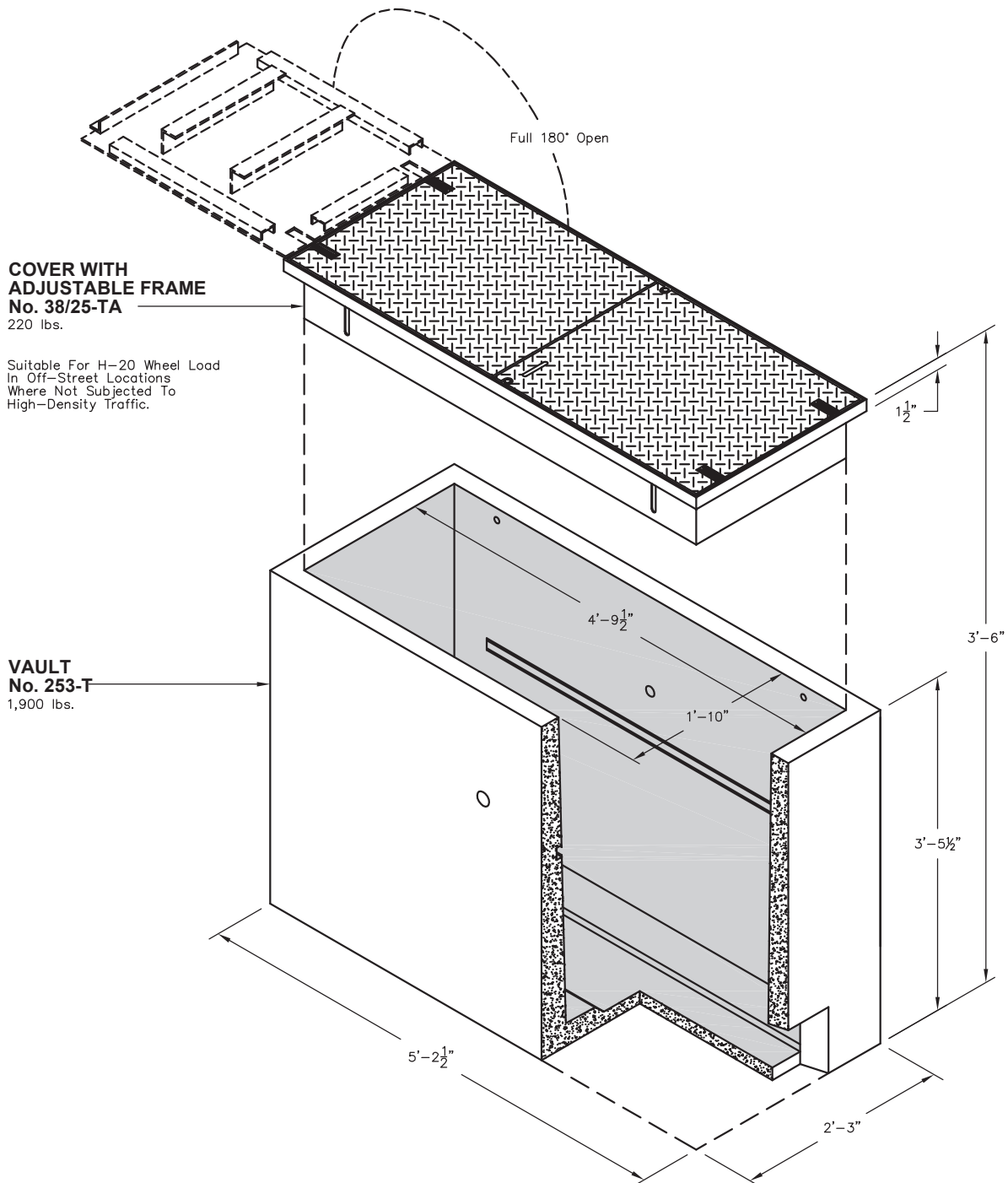


# 253-TA

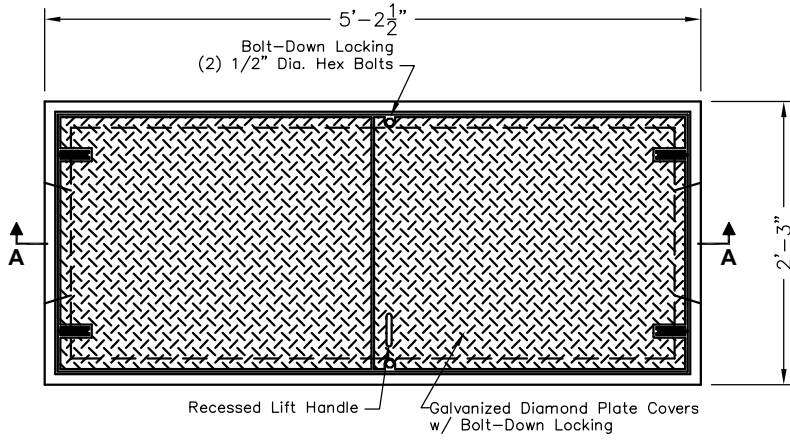


Non Skid Covers Available

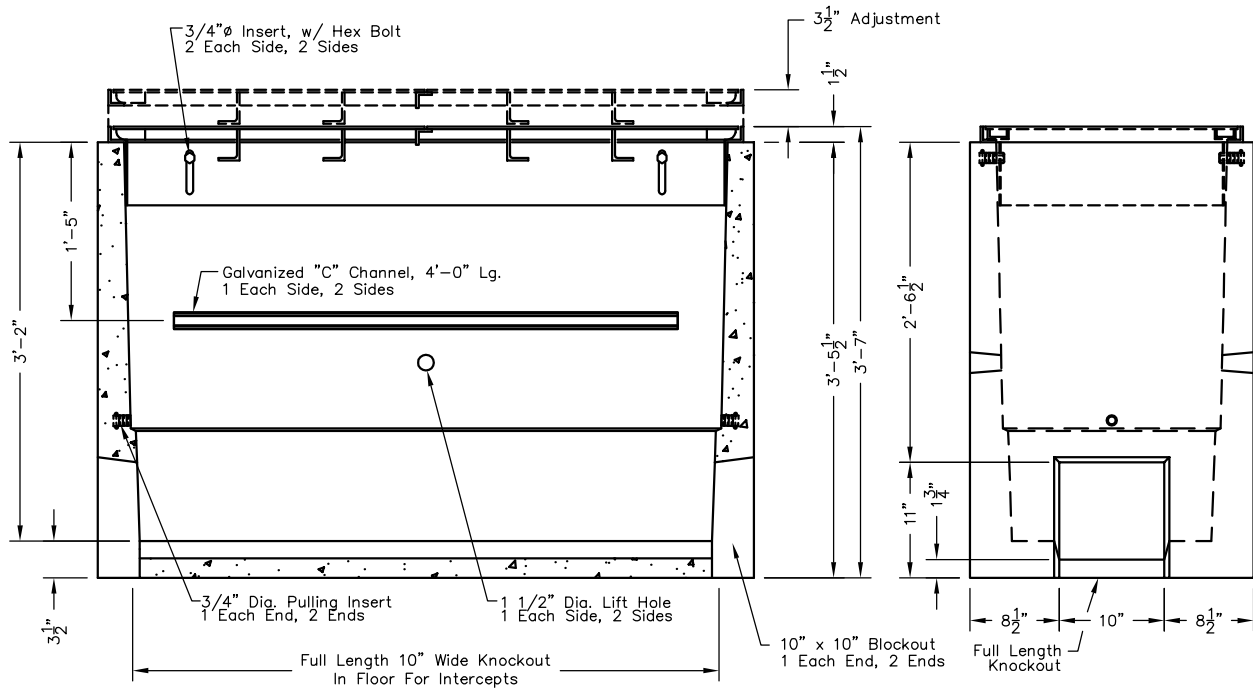
**FOR DETAILS, SEE REVERSE>>**

Items Shown Are Subject To Change Without Notice  
Issue Date: April 2016

**253-TA**



**PLAN VIEW**



**SECTION AA**

**END VIEW**

SCALE: 3/4"=1'-0"