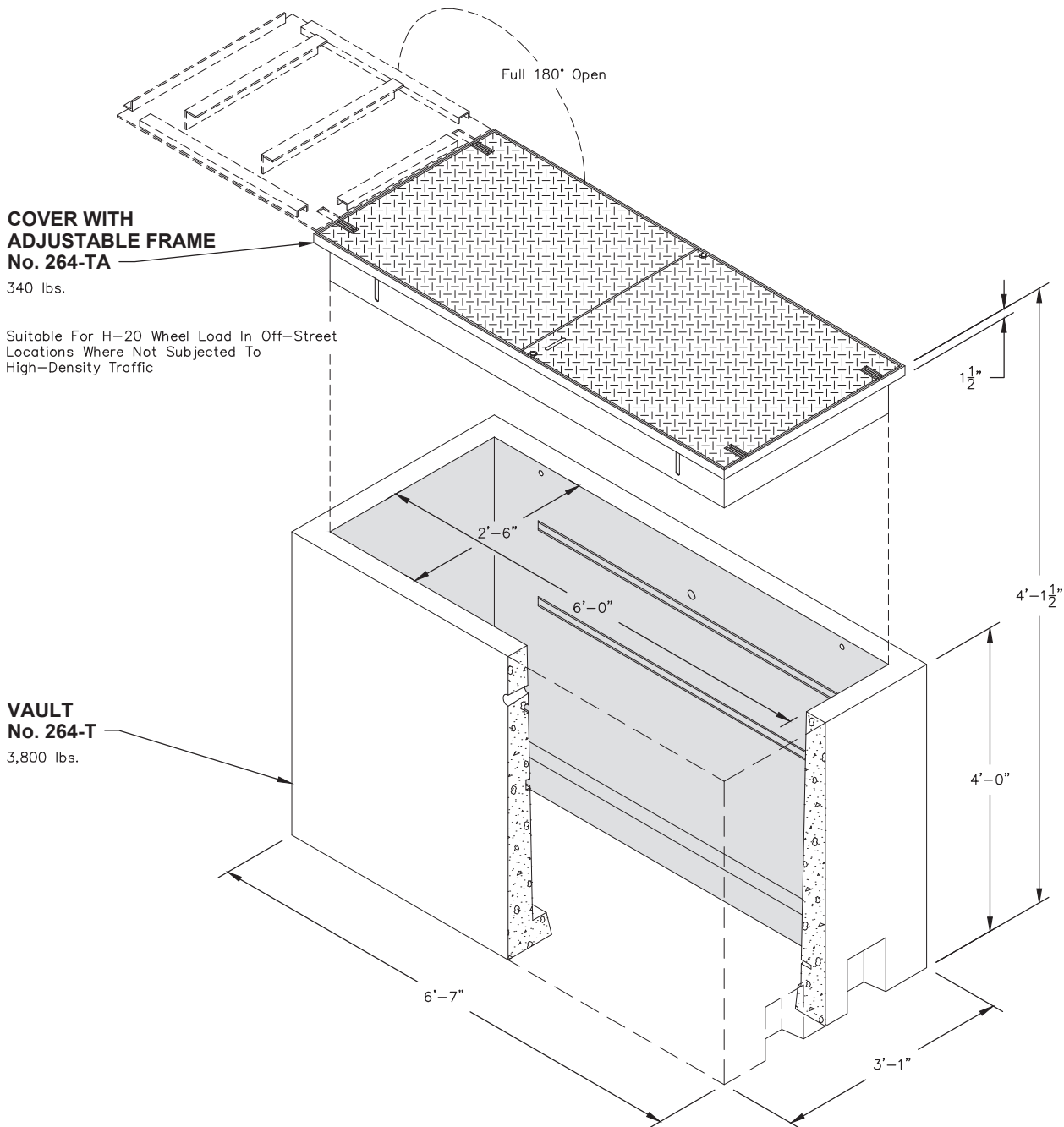


# 264-TA



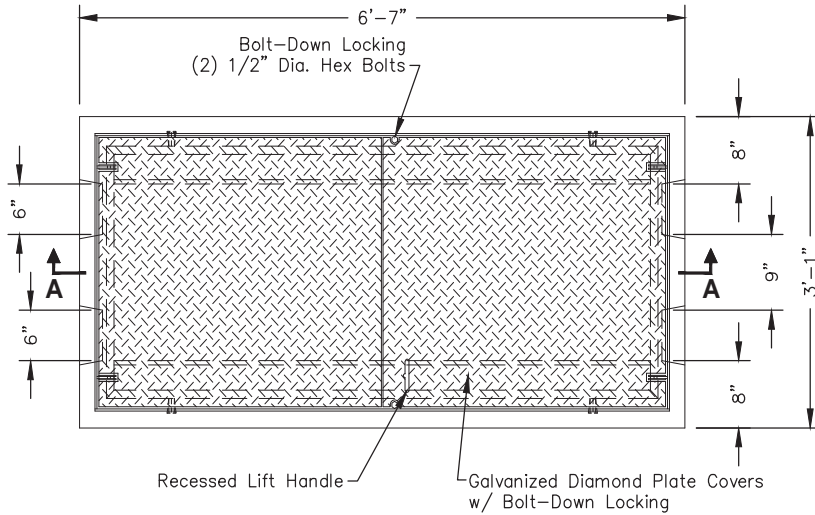
## CENTURY LINK PID# 2306738

Non Skid Covers Available

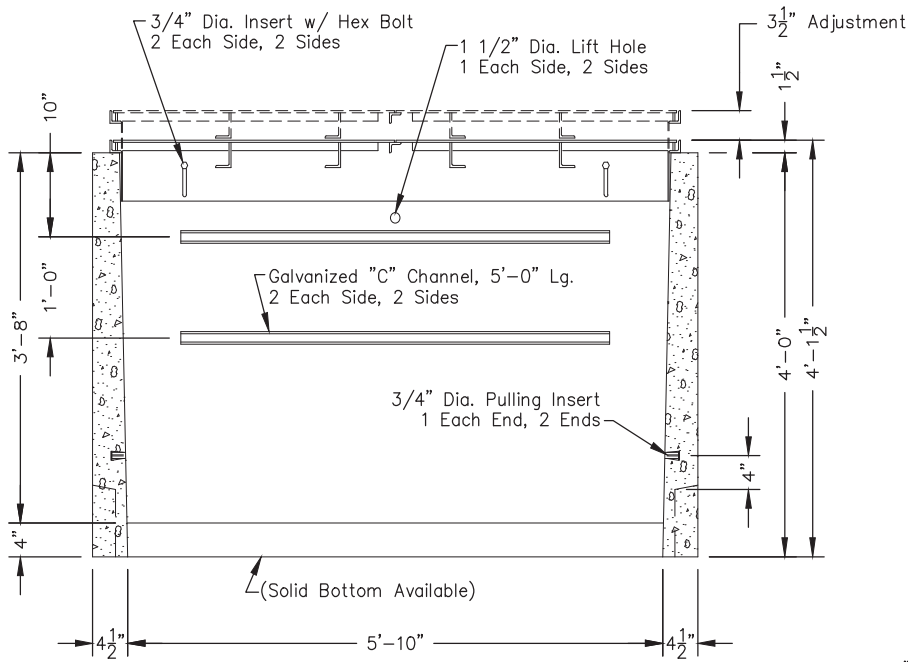
**FOR DETAILS, SEE REVERSE>>**

Items Shown Are Subject To Change Without Notice  
Issue Date: April 2016

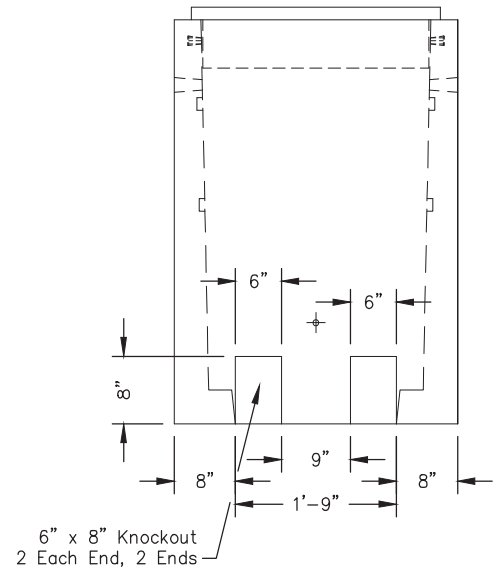
# 264-TA



**PLAN VIEW**



**SECTION AA**



**END VIEW**

CENTURY LINK PID# 2306738

SCALE: 1/2" = 1'-0"