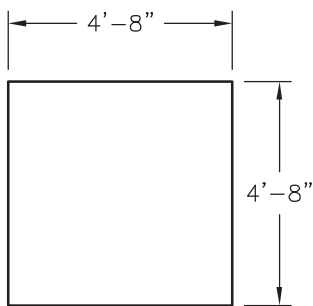
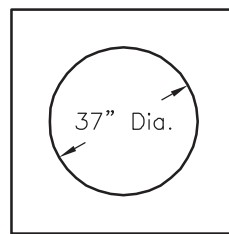

**OPTIONAL COVERS**

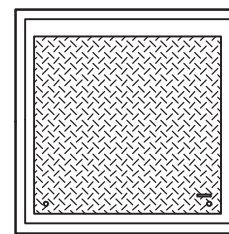
(For Other Available Covers See Covers Section)



SOLID CONCRETE  
NO. 55-S  
1,850 lbs.



CONCRETE W / HOLE  
NO. 55-37C  
1,180 lbs.



LOCKING STEEL COVER  
NO. 55-4242  
1,150 lbs.