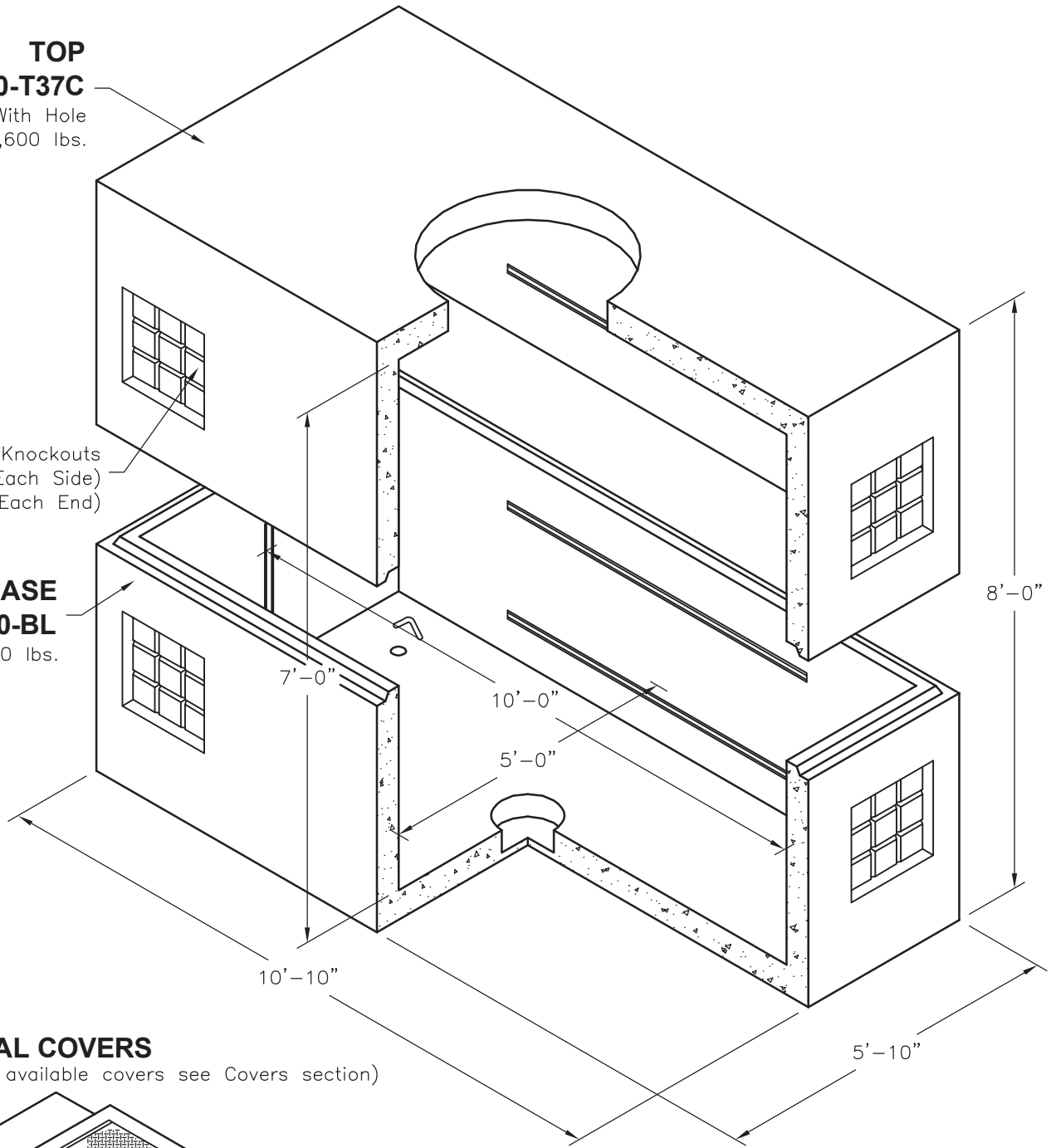


TOP
NO. 510-T37C
Concrete With Hole
10,600 lbs.

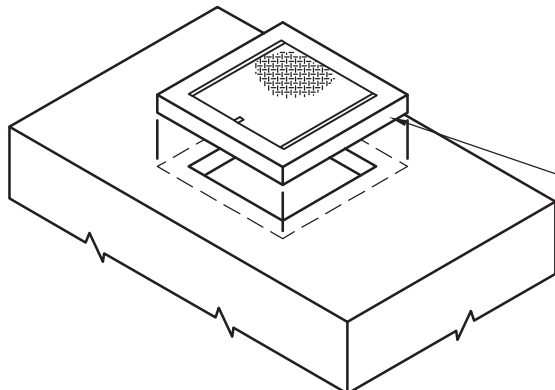
8" X 18" Knockouts
(4 Each Side)
(4 Each End)

BASE
NO. 510-BL
10,850 lbs.



OPTIONAL COVERS

(For other available covers see Covers section)



Locking Steel Cover
NO. 44-332P
835 lbs.