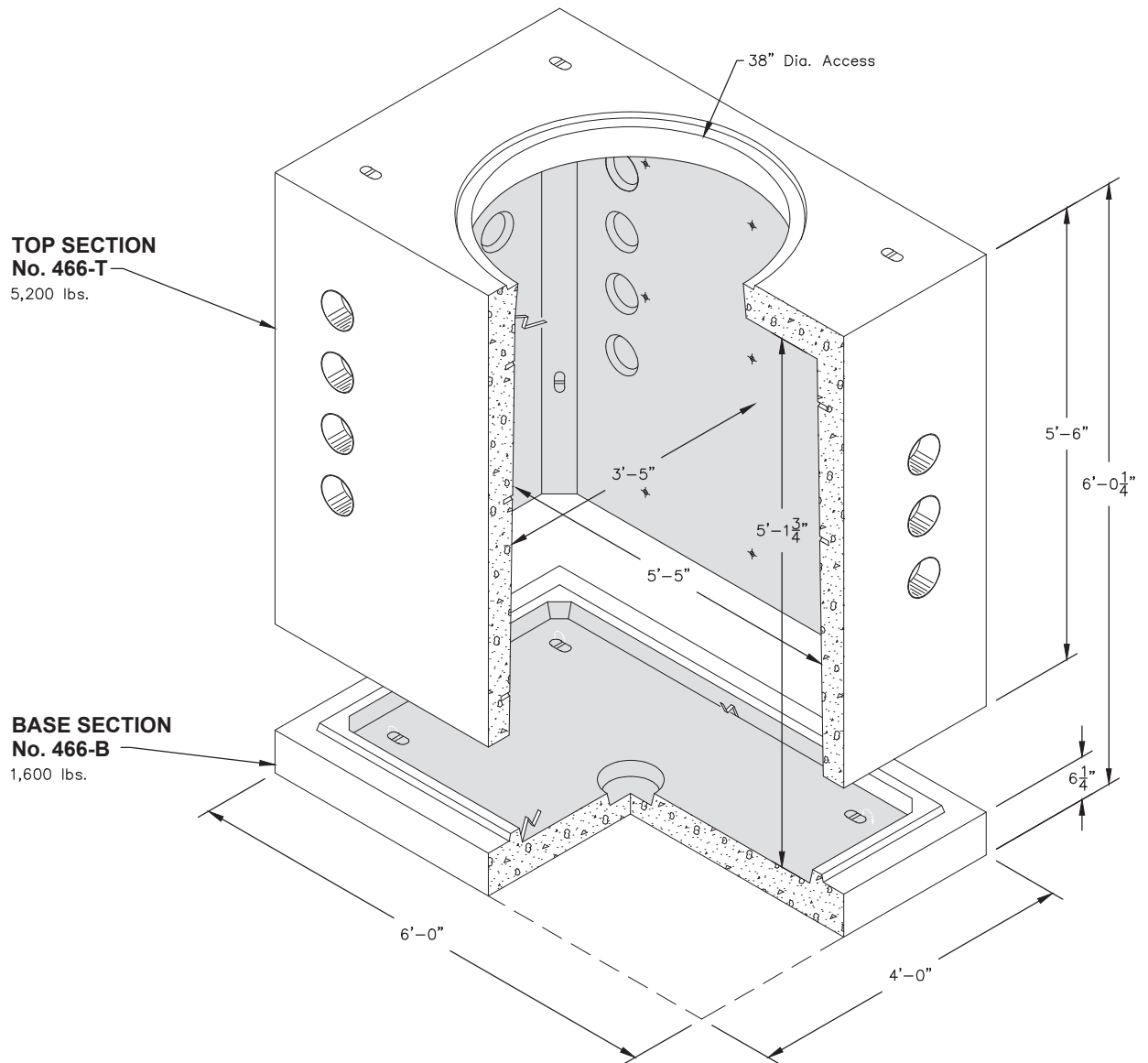


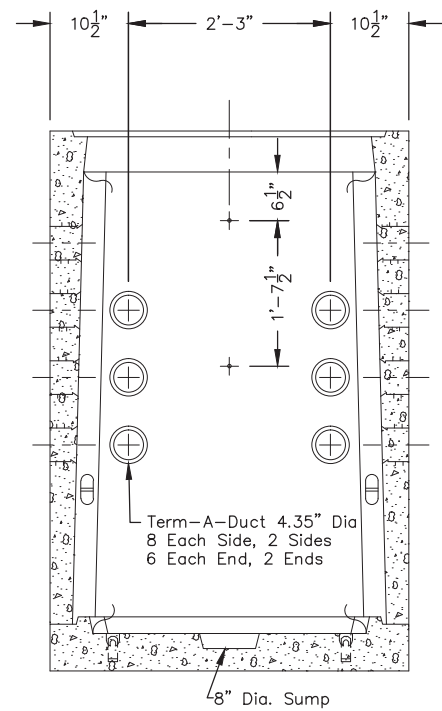
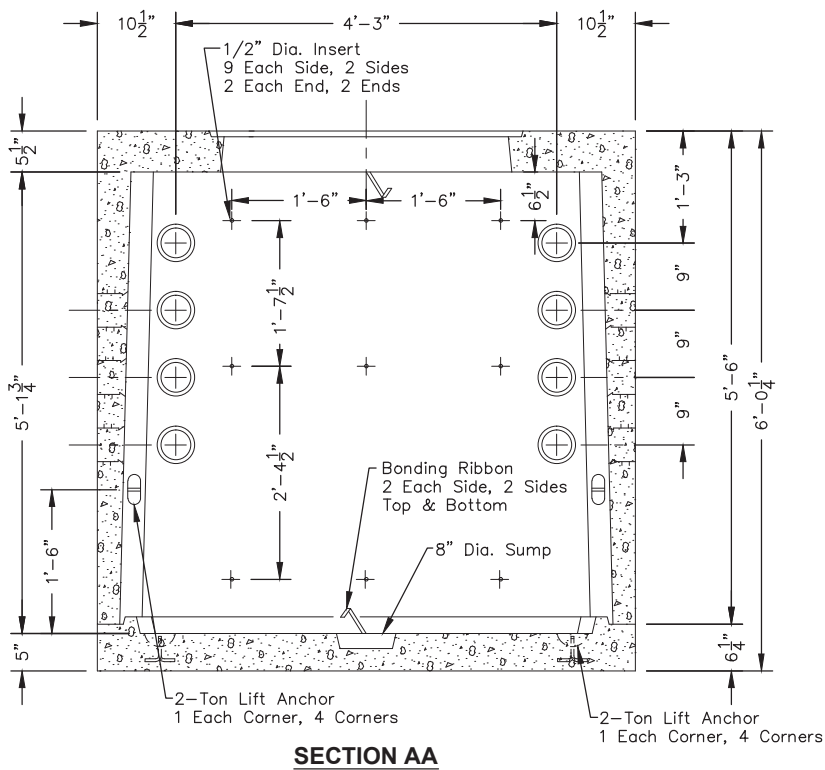
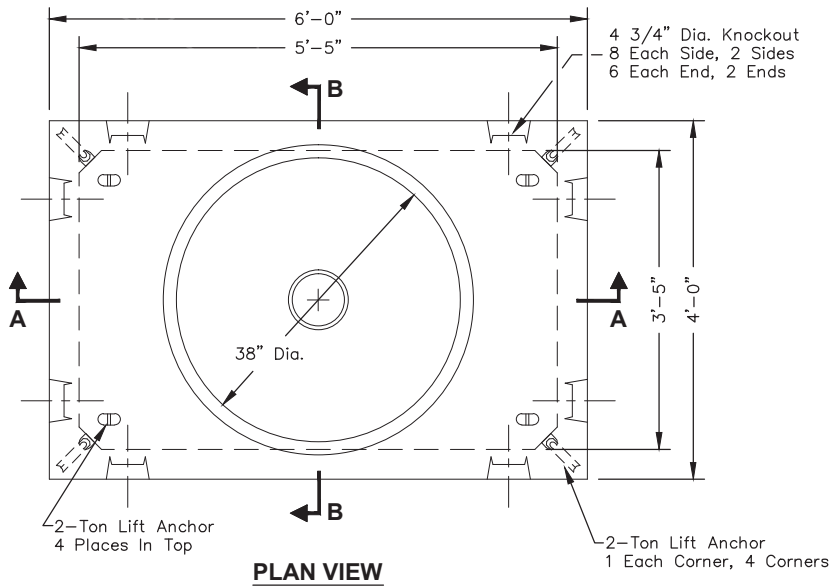
466-TA



FOR DETAILS, SEE REVERSE>>

Items Shown Are Subject To Change Without Notice
Issue Date: April 2016

466-TA



SCALE: 1/2" = 1'-0"