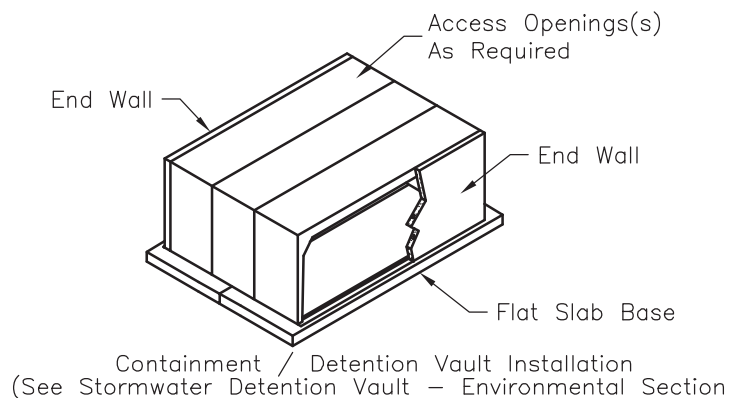
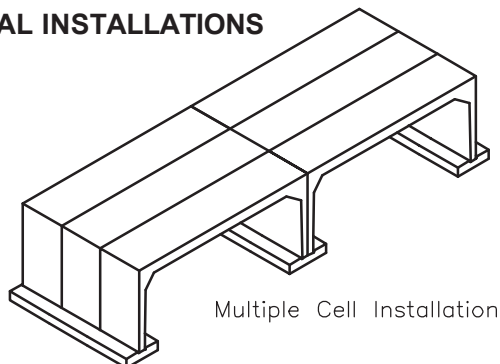
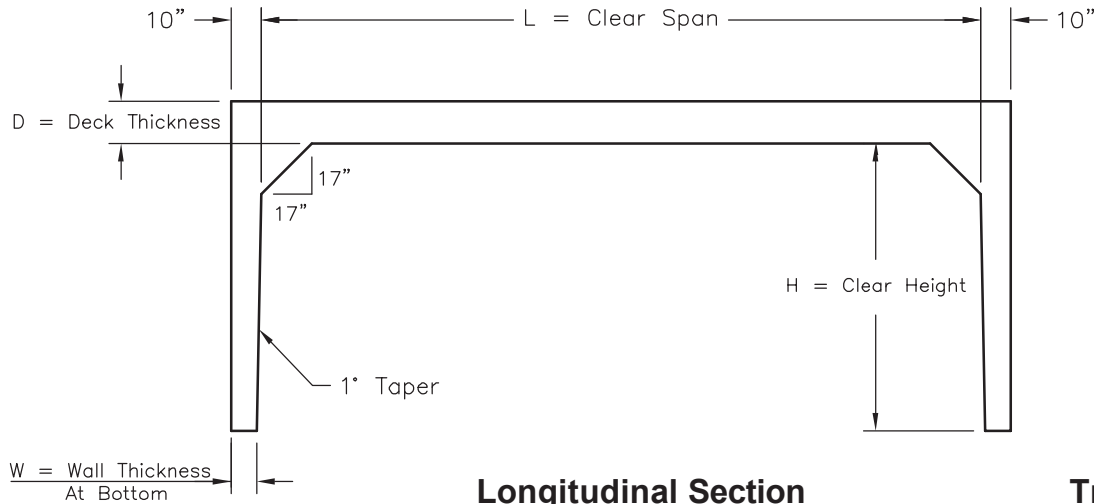


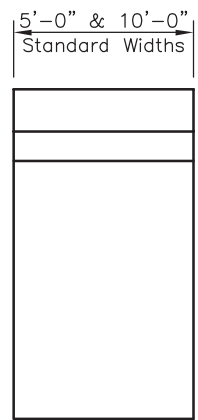
**OPTIONAL INSTALLATIONS**



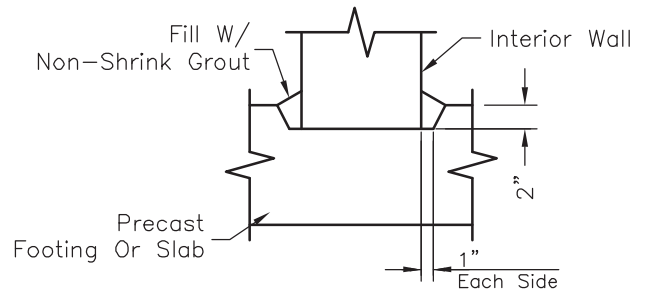
10'-0" Widths For  
Straight Only  
5'-0" Widths For  
Skew



**Longitudinal Section**



**Transverse Section**



**FOOTING KEYWAY**

Sizing And Weights (KIPs) For 5'-0" Standard Width Product

SPAN Ft.	L	12'	13'	14'	15'	16'	17'	18'	19'	20'	21'	22'	23'	24'	25'	26'	27'	28'	29'	30'	31'	32'	33'	34'	35'
DECK In.	D	10"	10"	10"	10"	10"	10"	10"	10"	10"	14"	14"	14"	14"	14"	14"	14"	18"	18"	18"	18"	18"	18"	18"	18"
W=9 <sup>5</sup> / <sub>8</sub> "	H=3'	13.8	14.4	15.0	15.6	16.3	16.9	17.5	18.1	18.8	25.1	25.9	26.8	27.7	28.6	29.4	30.3	38.6	39.7	40.8	42.0	43.1	44.2	45.3	46.5
W=9 <sup>3</sup> / <sub>8</sub> "	H=4'	14.9	15.6	16.2	16.8	17.4	18.1	18.7	19.3	19.9	26.2	27.1	28.0	28.9	29.7	30.6	31.5	39.8	40.9	42.0	43.2	44.3	45.4	46.5	47.7
W=9 <sup>1</sup> / <sub>8</sub> "	H=5'	16.1	16.7	17.4	18.0	18.6	19.2	19.9	20.5	21.1	27.4	28.3	29.2	30.0	30.9	31.8	32.7	40.9	42.1	43.2	44.3	45.4	46.6	47.7	48.8
W=8 <sup>7</sup> / <sub>8</sub> "	H=6'	17.2	17.9	18.5	19.1	19.7	20.4	21.0	21.6	22.2	28.5	29.4	30.3	31.2	32.0	32.9	33.8	42.1	43.2	44.3	45.4	46.6	47.7	48.8	49.9
W=8 <sup>5</sup> / <sub>8</sub> "	H=7'	18.3	19.0	19.6	20.2	20.8	21.5	22.1	22.7	23.3	29.6	30.5	31.4	32.3	33.1	34.0	34.9	43.2	44.3	45.4	46.6	47.7	48.8	49.9	51.1
W=8 <sup>3</sup> / <sub>8</sub> "	H=8'	19.4	20.0	20.7	21.3	21.9	22.5	23.2	23.8	24.4	30.7	31.6	32.5	33.3	34.2	35.1	36.0	44.2	45.4	46.5	47.6	48.7	49.9	51.0	52.1
W=8 <sup>1</sup> / <sub>4</sub> "	H=9'	20.5	21.1	21.7	22.3	23.0	23.6	24.2	24.8	25.5	31.8	32.6	33.5	34.4	35.3	36.1	37.0	45.3	46.4	47.5	48.7	49.8	50.9	52.0	53.2
W=8"	H=10'	21.5	22.1	22.7	23.3	24.0	24.6	25.2	25.8	26.5	32.8	33.6	34.5	35.4	36.3	37.1	38.0	46.3	47.4	48.6	49.7	50.8	51.9	53.1	54.2