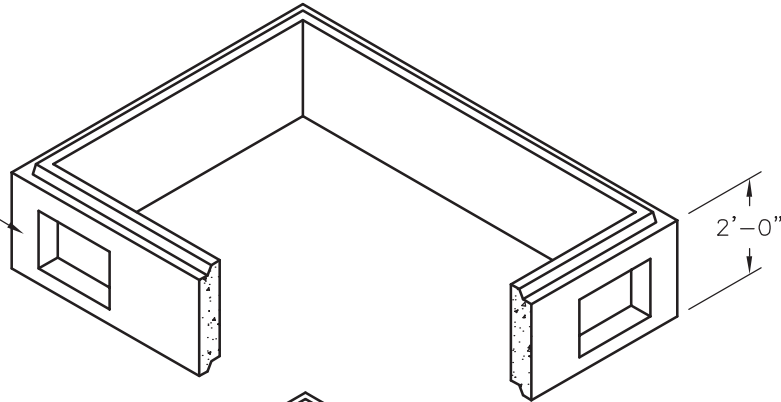
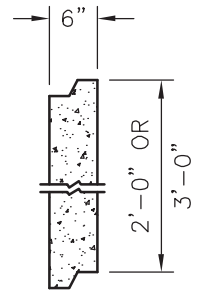
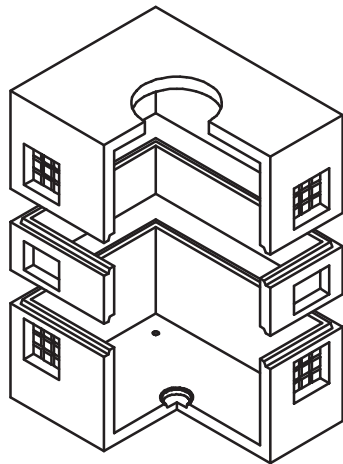
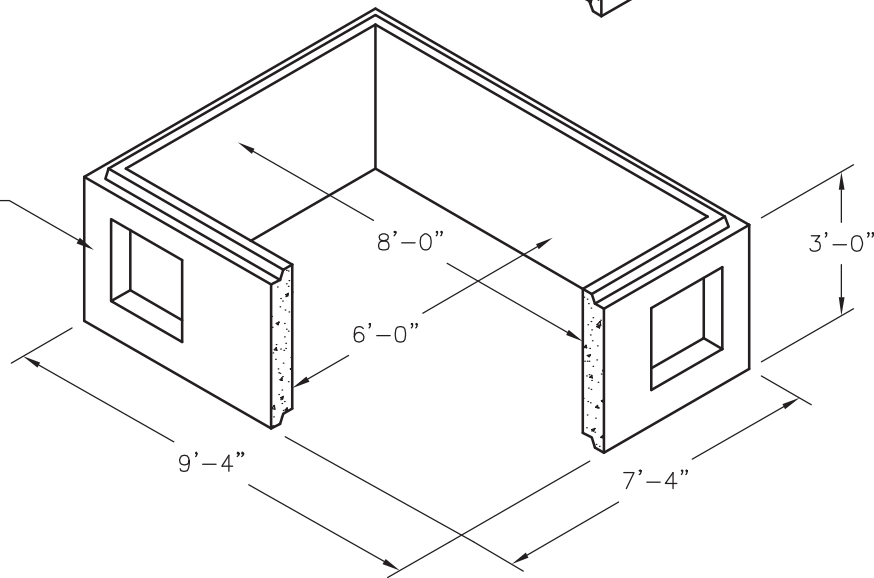


**EXTENSION  
 NO. 687-2X**  
 3,900 Lbs.



**EXTENSION  
 NO. 687-3X**  
 5,900 Lbs.



**SECTION**