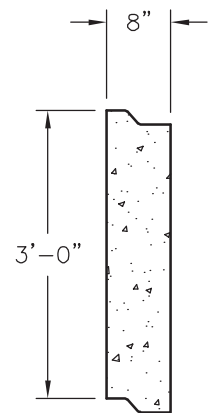
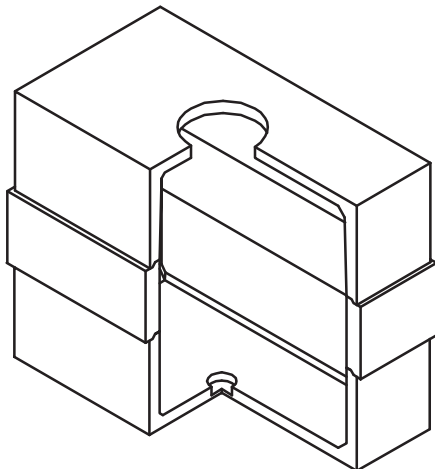
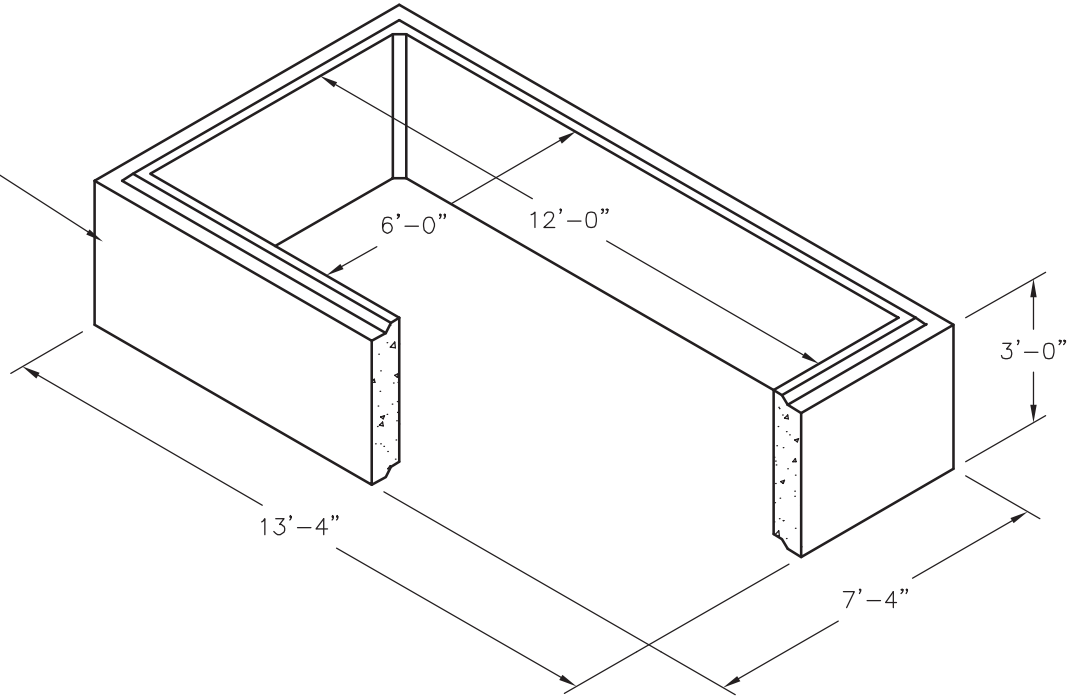


**EXTENSION
 NO. 612-3X**
 12,000 Lbs.



SECTION