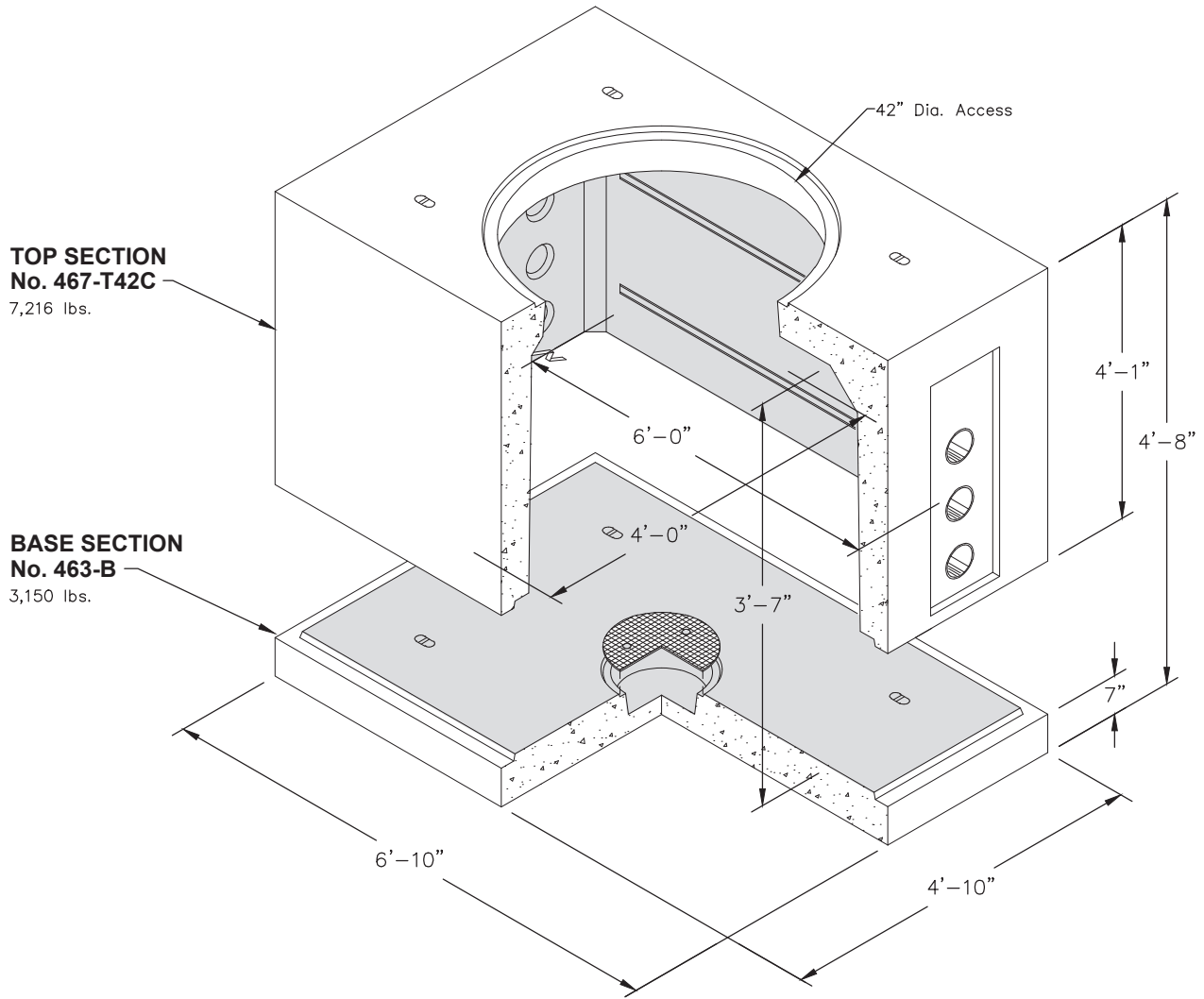


463-TA INTERCEPT

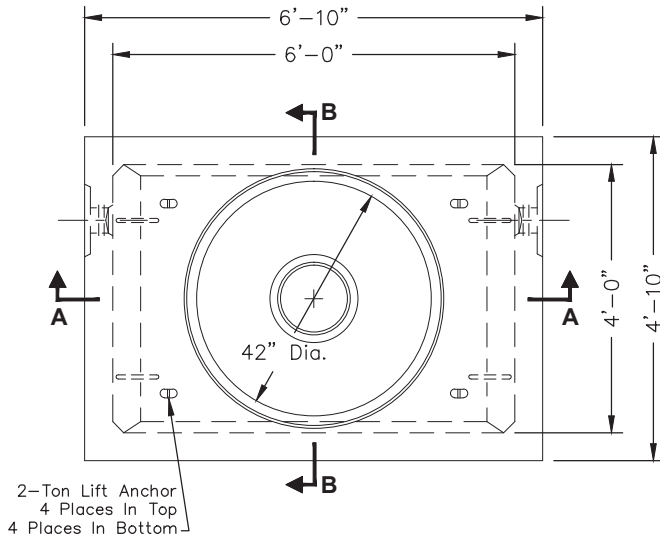


CENTURY LINK PID# 2414961

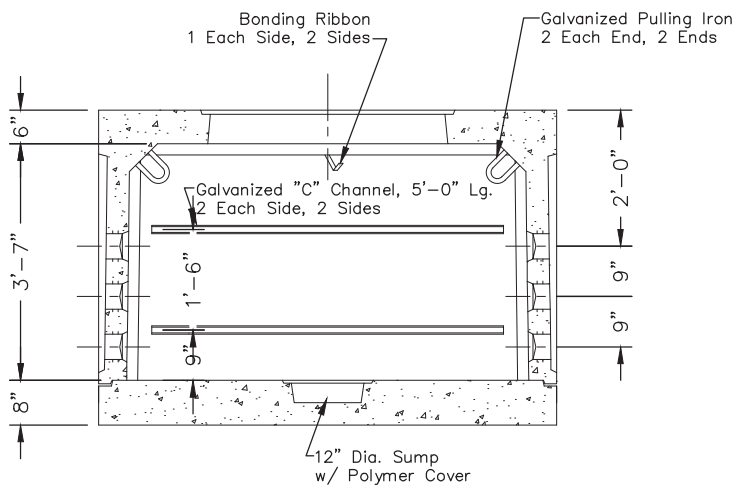
FOR DETAILS, SEE REVERSE>>

Items Shown Are Subject To Change Without Notice
Issue Date: April 2016

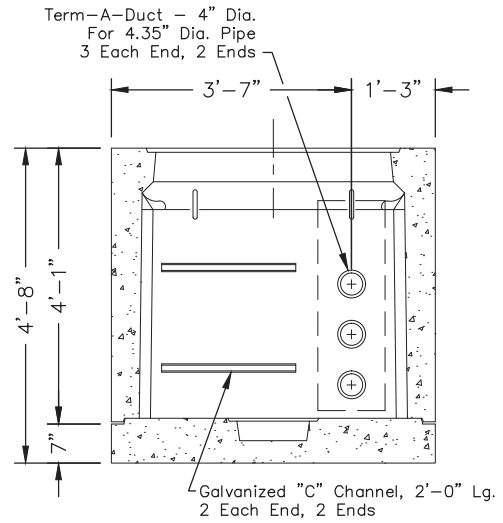
463-TA INTERCEPT



PLAN VIEW



SECTION AA



SECTION BB

CENTURY LINK PID# 2414961

SCALE: 3/8" = 1'-0"