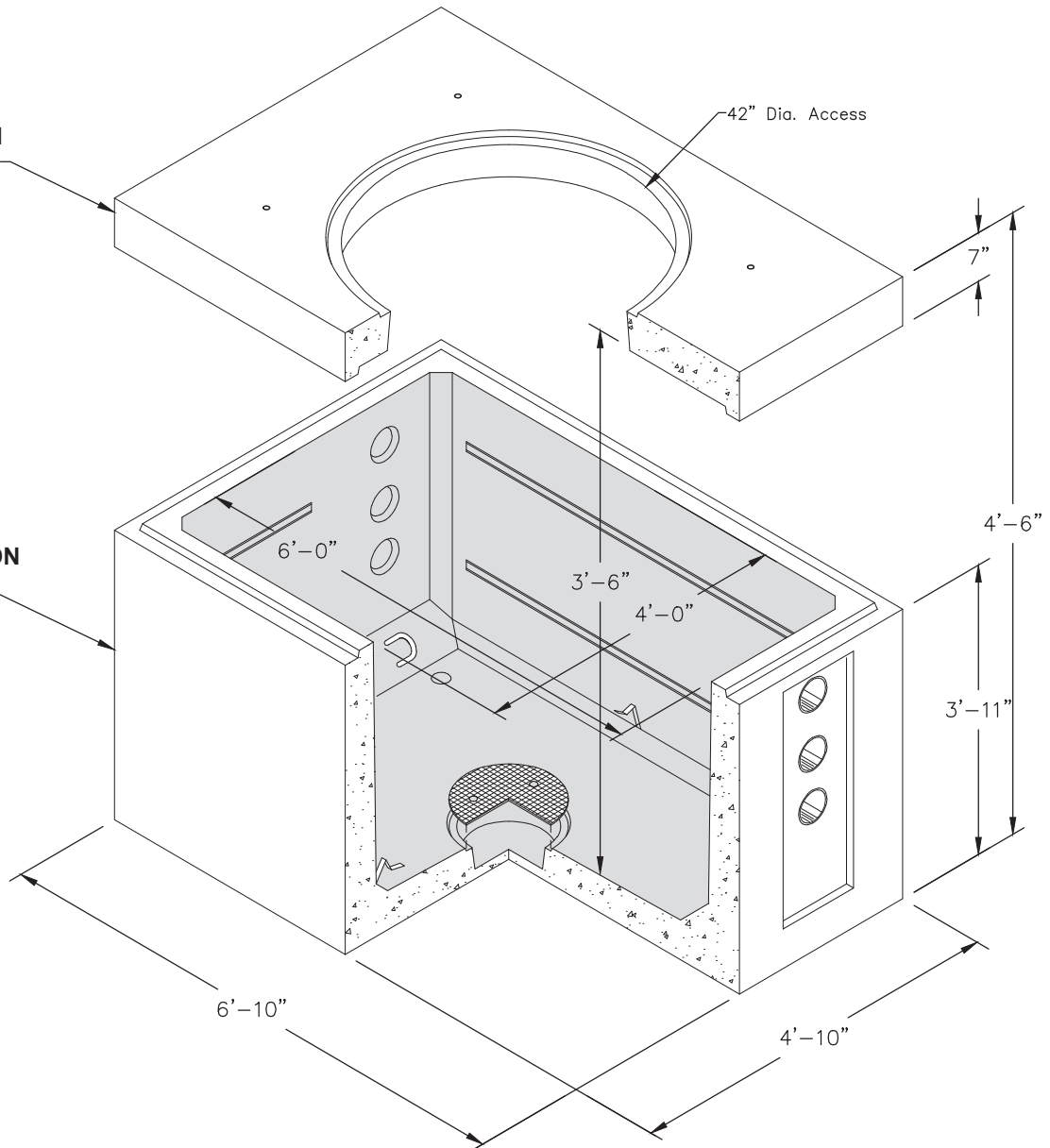


463-TA PULLBOX

TOP SECTION
No. 463-T42C
1,763 lbs.

BASE SECTION
No. 467-B
7,199 lbs.

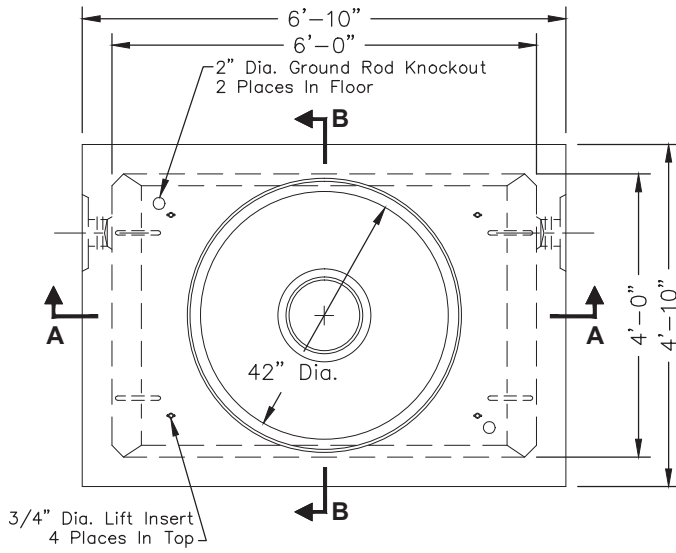


CENTURY LINK PID# 2414979

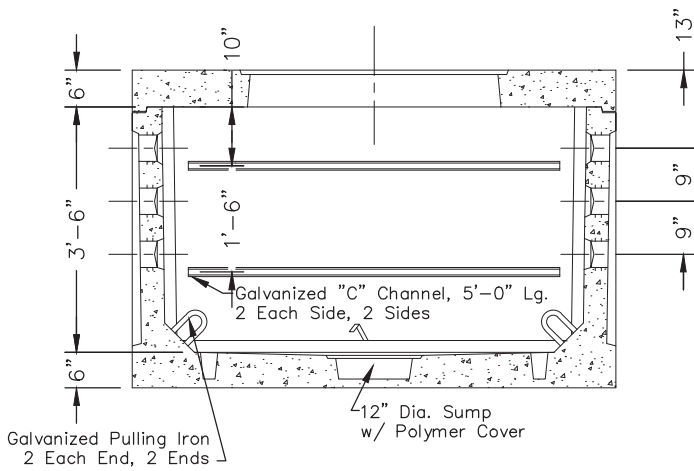
FOR DETAILS, SEE REVERSE>>

Items Shown Are Subject To Change Without Notice
Issue Date: April 2016

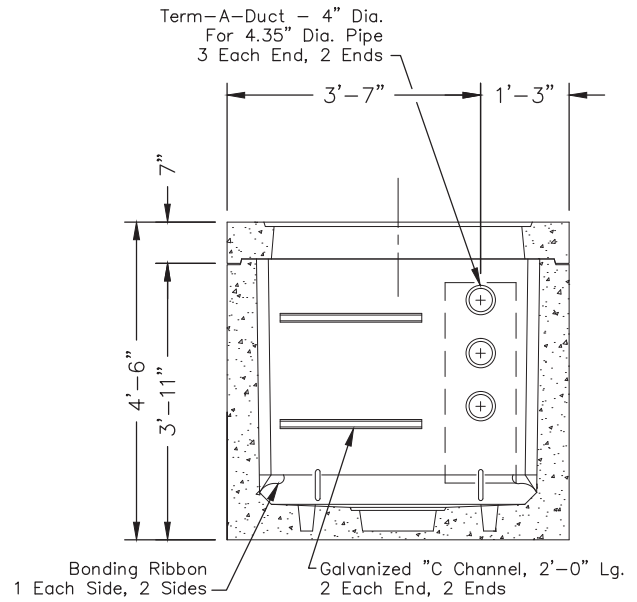
463-TA PULLBOX



PLAN VIEW



SECTION AA



SECTION BB

CENTURY LINK PID# 2414979

SCALE: 3/8" = 1'-0"