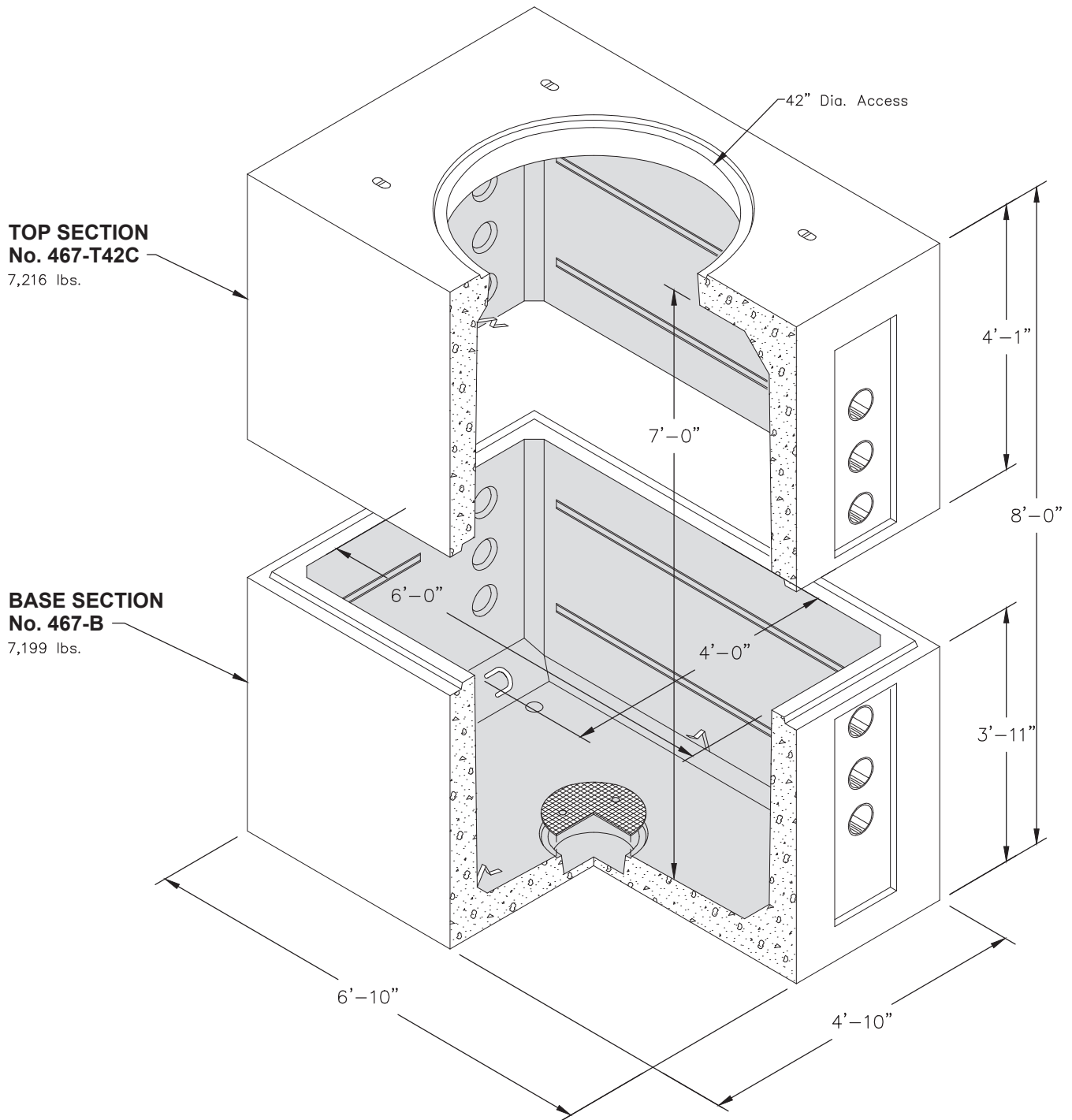


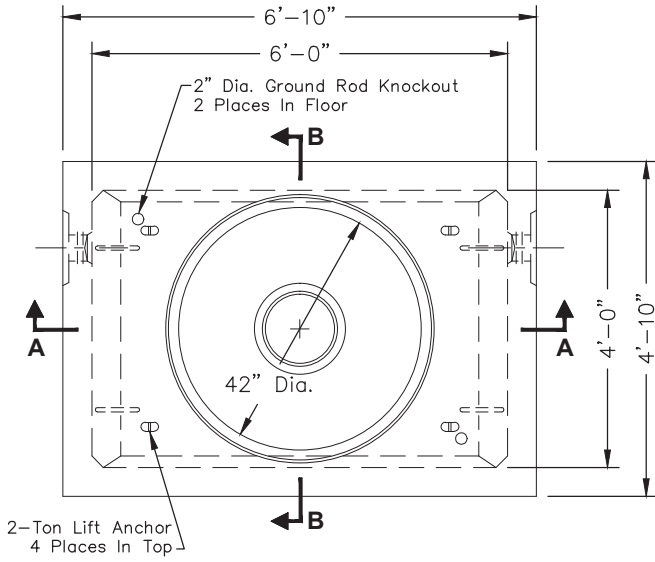
467-TA



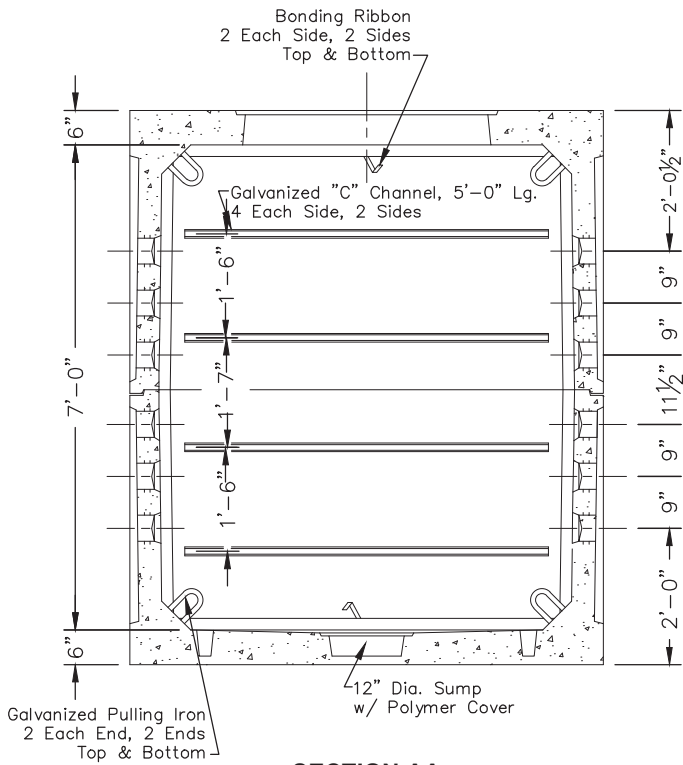
CENTURY LINK PID# 2306746

FOR DETAILS, SEE REVERSE>>

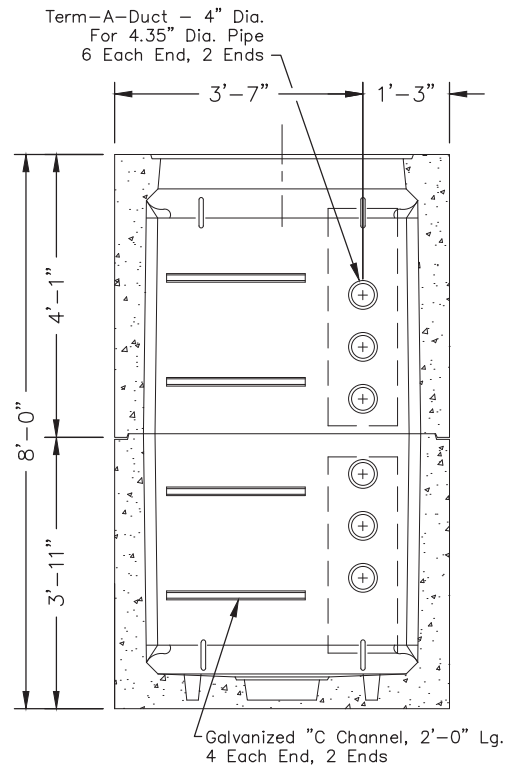
Items Shown Are Subject To Change Without Notice
Issue Date: April 2016



PLAN VIEW



SECTION AA



SECTION BB