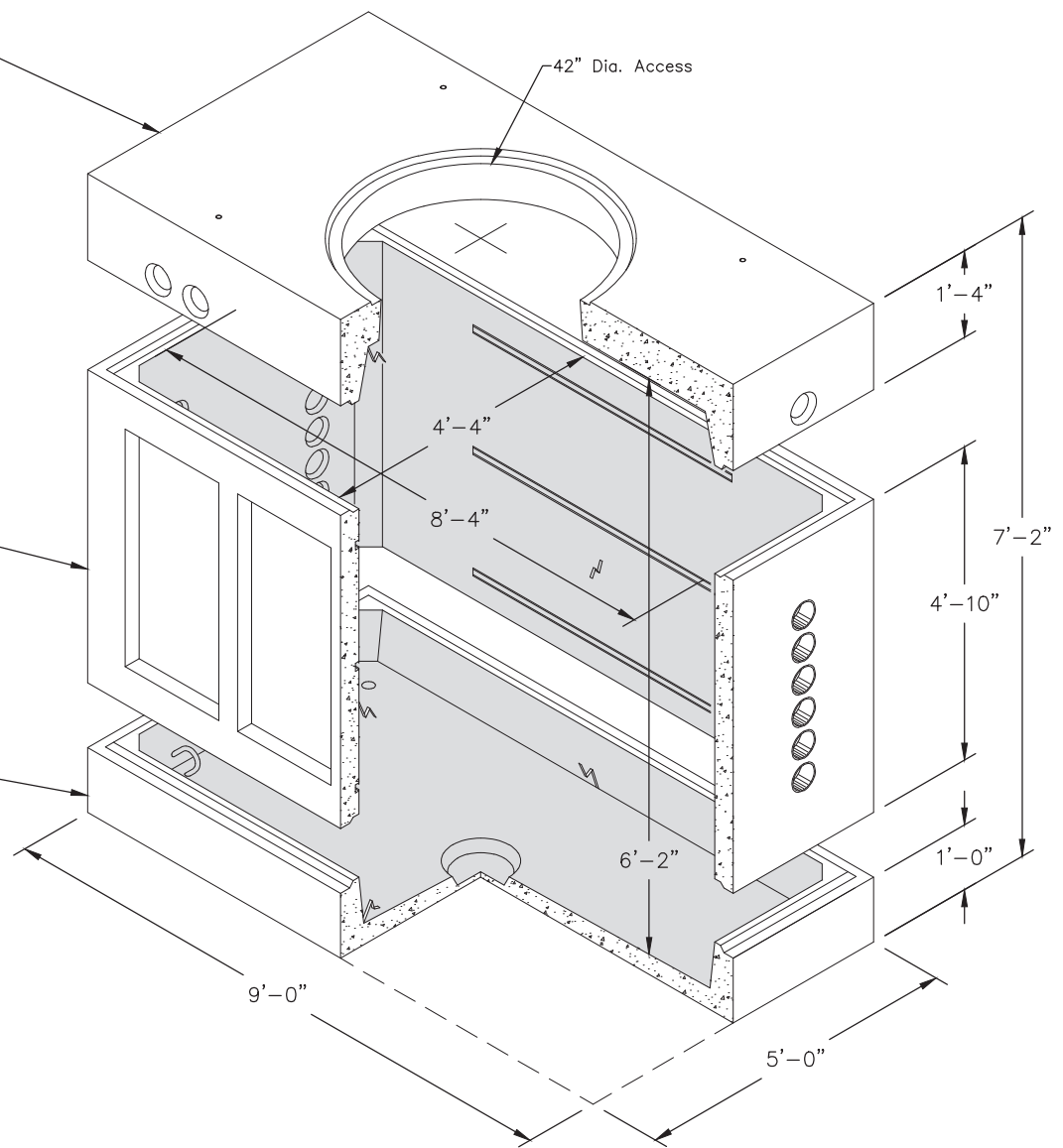


4484-TA

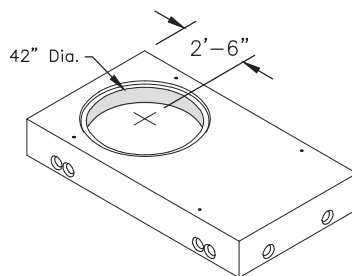
TOP SECTION
No. 4484-T42C
4,566 lbs.

CENTER
No. 4484-MT
6,150 lbs.

BASE
No. 4484-BT
3,240 lbs.



OPTIONAL TOP SECTION

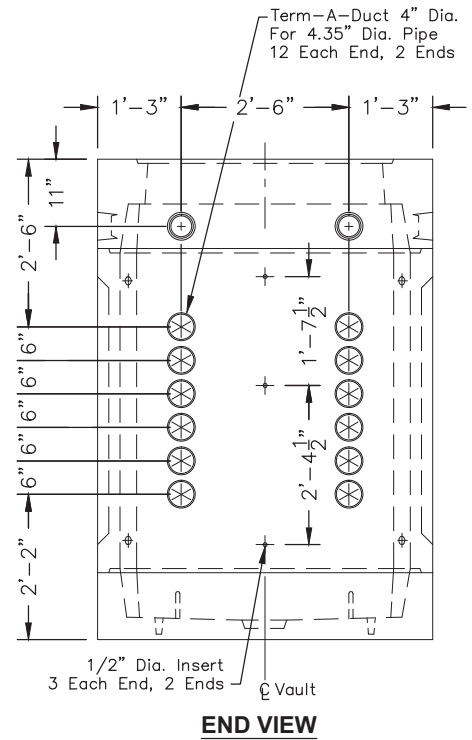
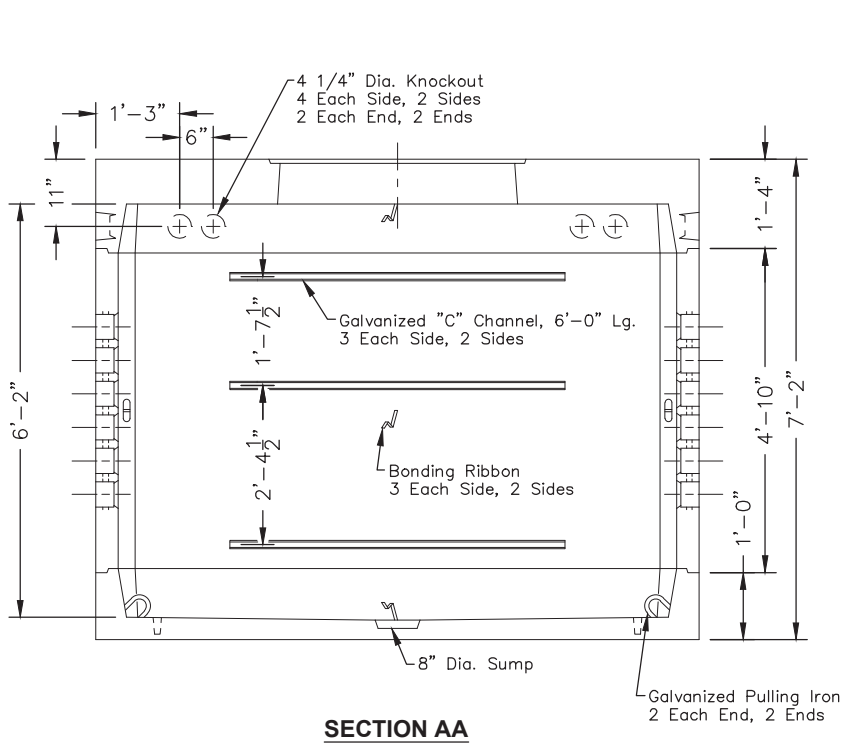
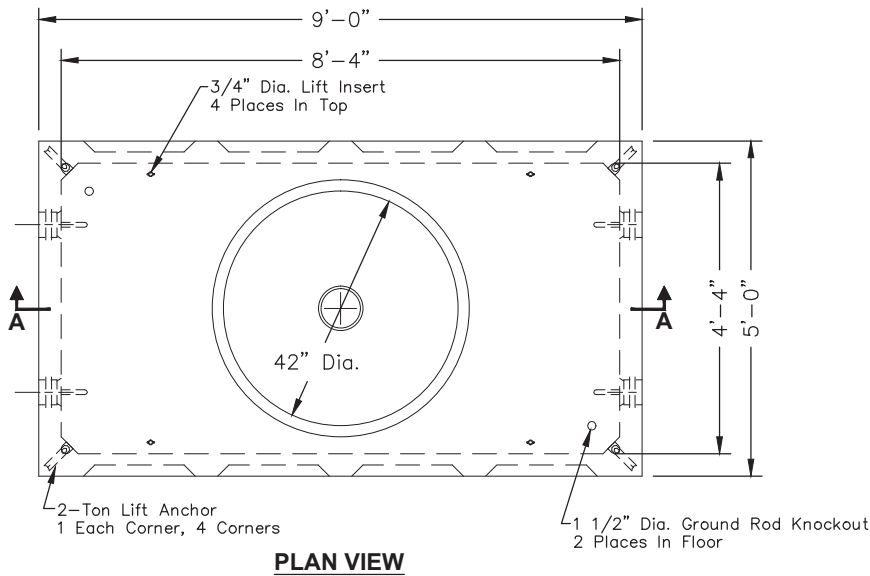


4484-T42E
4,590 lbs.

FOR DETAILS, SEE REVERSE>>

Items Shown Are Subject To Change Without Notice
Issue Date: April 2016

4484-TA



SCALE: 3/8" = 1'-0"